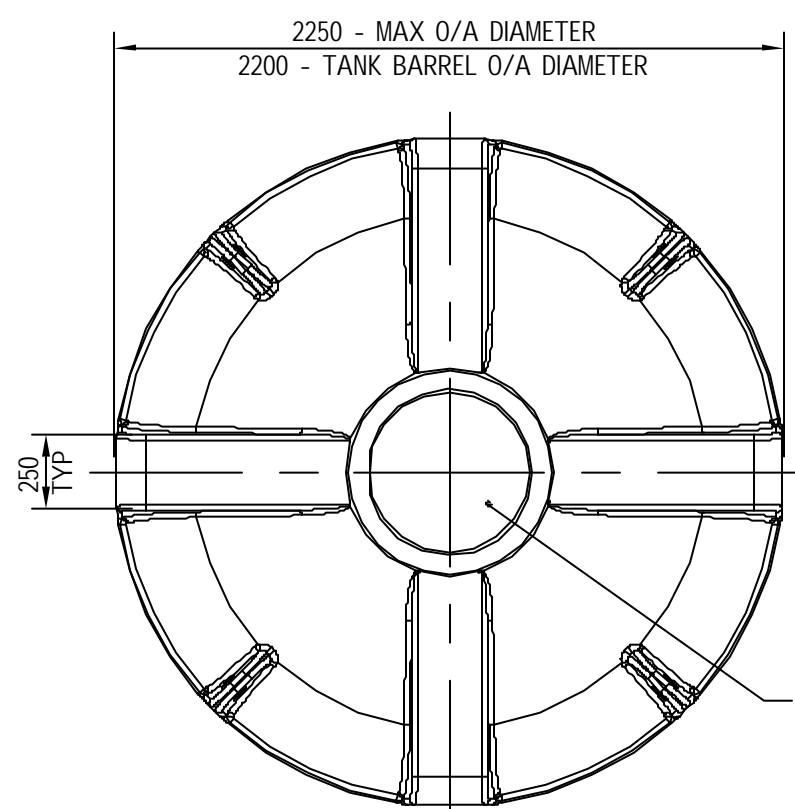
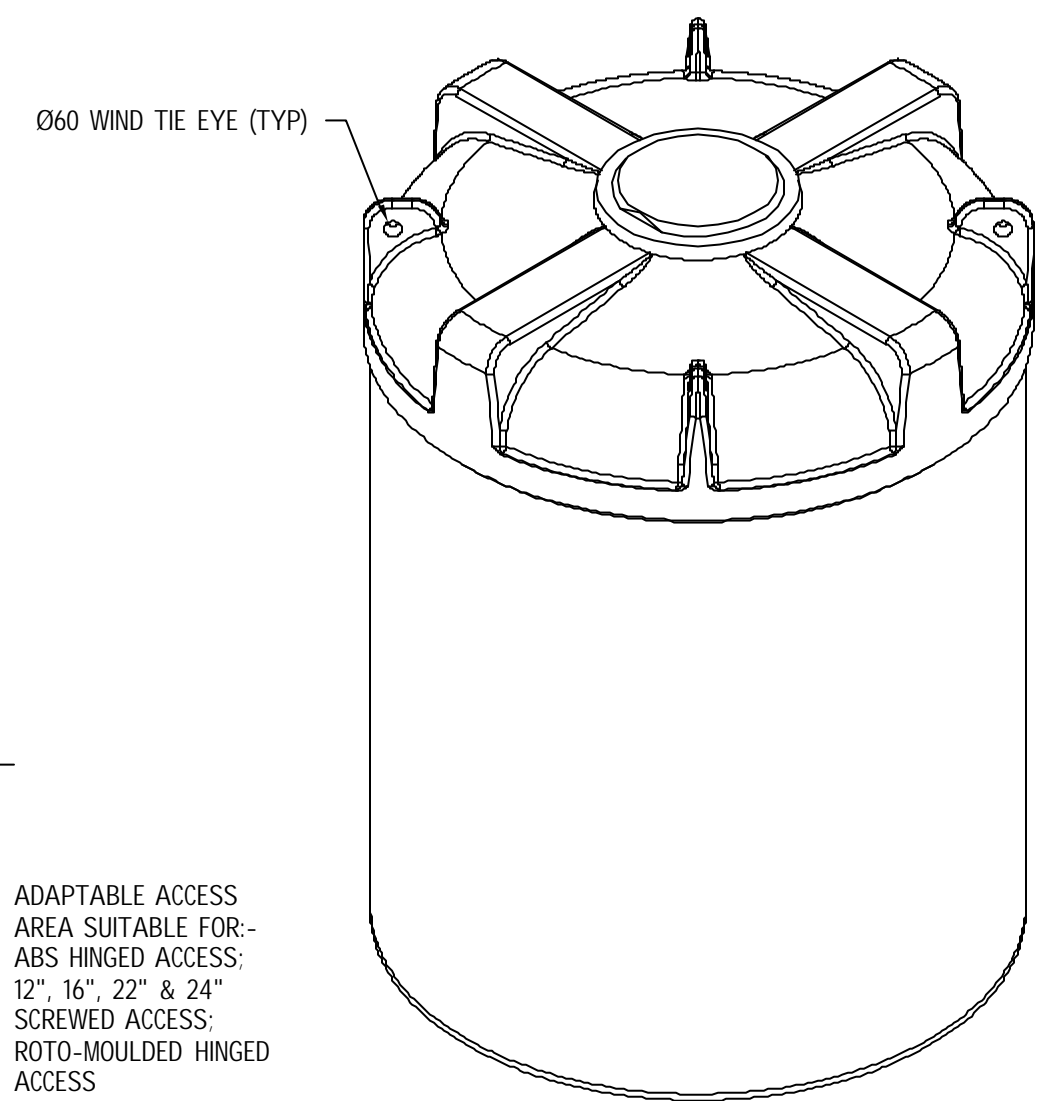


FRONT ELEVATION



PLAN VIEW



ISOMETRIC VIEW

ADAPTABLE ACCESS AREA SUITABLE FOR:-
ABS HINGED ACCESS;
12", 16", 22" & 24"
SCREWED ACCESS;
ROTO-MOULDED HINGED ACCESS

- GENERAL NOTES:**
1. INSTALLATION INSTRUCTIONS ARE PROVIDED WITH EACH TANK.
 2. ALL DIMENSIONS ARE APPROXIMATE AND FOR INFORMATION ONLY.
 3. ALLOW FOR EXPANSION WHEN TANK IS FULL.
 4. SITE FOUNDATIONS TO ACCOMMODATE WEIGHT OF TANK PLUS CONTENTS.

ALSO AVAILABLE: RIBBED VERSION Ø2331 x 2922 HIGH
c/w INTEGRAL LADDER SUPPORT

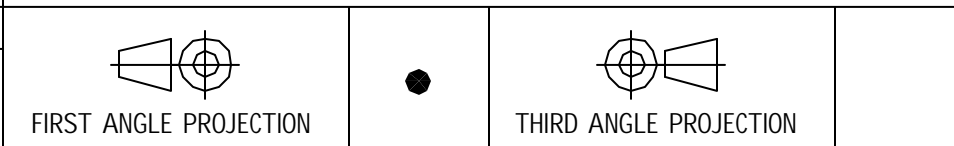
THIS DRAWING IS COPYRIGHT AND IS ISSUED ON CONDITION THAT IT IS NOT COPIED, REPRODUCED OR DISCLOSED TO A THIRD PARTY WITHOUT CONSENT IN WRITING OF BALMORAL GROUP LTD., ABERDEEN

| | |
|--|----------------------------|
| CLIENT BALMORAL CHEMICAL TANKS | PROJECT No. 0064 |
|--|----------------------------|

| ISSUE | MODIFICATION | BY | CHK | APV | DATE |
|-------|------------------------------|-----|-----|-----|----------|
| 02 | FORMAT CHANGE FOR SALES INFO | RH | GE | GE | 15/12/04 |
| 01 | FIRST ISSUE | MHK | GE | GE | 26/01/04 |

DRAWING TITLE
C10000 - GENERAL ARRANGEMENT

BALMORAL GROUP LTD
Balmoral Park, Loinston, Aberdeen AB12 3GY, Scotland
Telephone +44 (0)1224 859000 Fax +44 (0)1224 859059
E-mail group@balmoral.co.uk

ALL DIMENSIONS IN MILLIMETRES UNLESS STATED OTHERWISE - DO NOT SCALE
IF IN DOUBT - ASK

| | | | |
|-----------------------------------|------------------------------------|-------------------------------------|---------------------------------|
| DRAWN BY MATTHEW KIMBLE | CHECKED BY GORDON EDMOND | APPROVED BY GORDON EDMOND | DRAWING No. 0064-0007 |
| SCALE 1:25 | DATE JANUARY 2004 | SHEET SIZE A3 | JOB No. SALES DRG. |