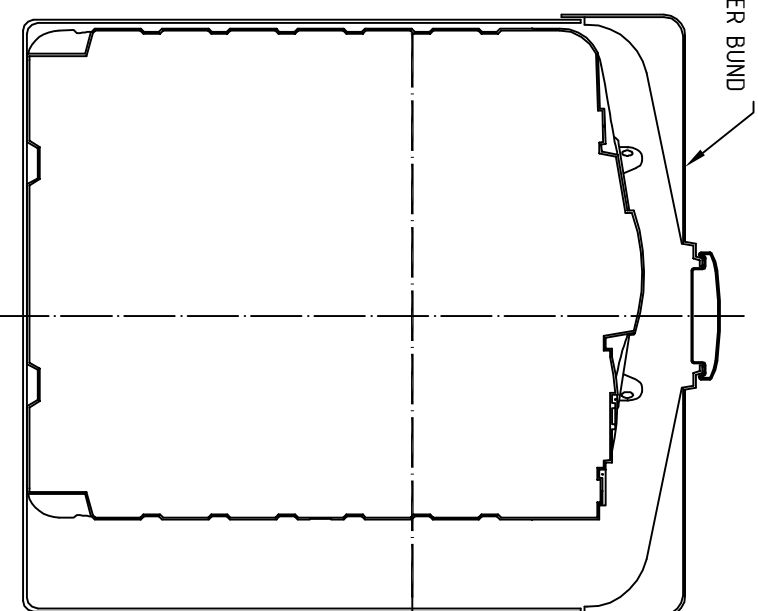


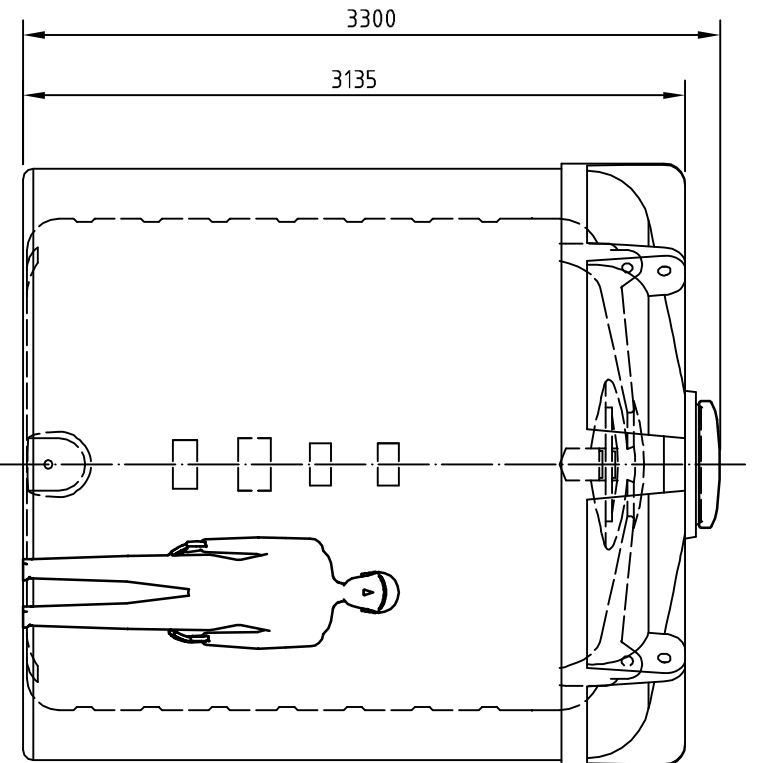
C25,000 TANK CUT DOWN
FOR OUTER BUND



110% INNER TANK VOLUME LEVEL

1825

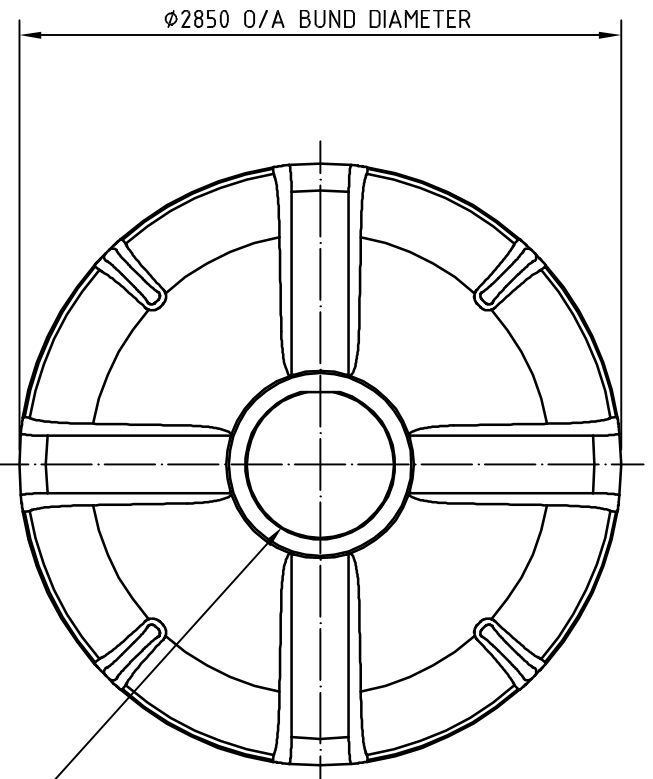
- GENERAL NOTES:
1. INSTALLATION INSTRUCTIONS ARE PROVIDED WITH EACH TANK.
 2. ALL DIMENSIONS ARE APPROXIMATE AND FOR INFORMATION ONLY.
 3. SITE FOUNDATIONS TO ACCOMMODATE WEIGHT OF TANK PLUS CONTENTS.



3300
3135

FRONT ELEVATION

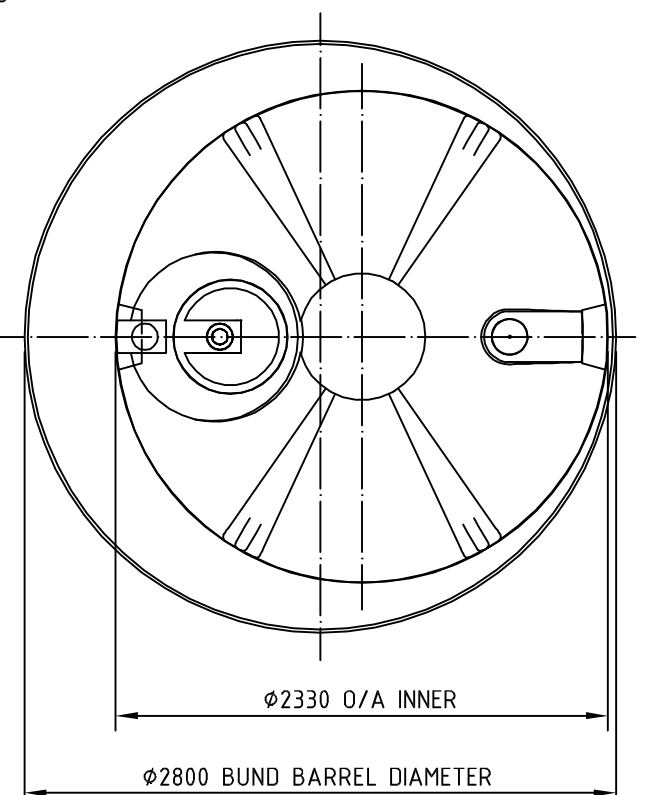
SECTION



Ø2850 O/A BUND DIAMETER

PLAN VIEW

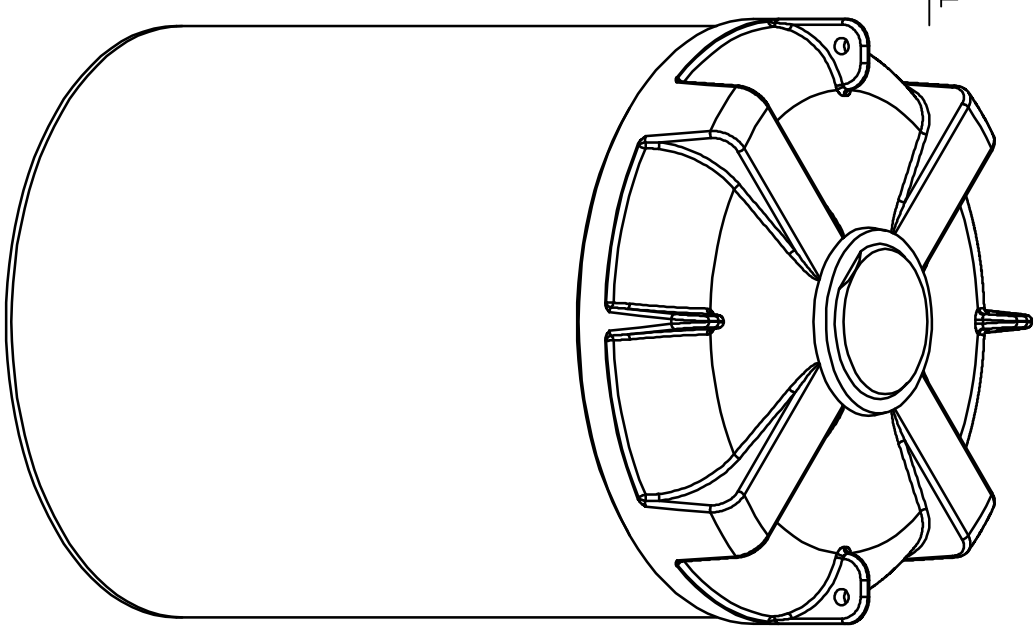
ADAPTABLE ACCESS
AREA SUITABLE FOR:
ABS HINGED ACCESS;
12", 16", 22" & 24"
SCREWED ACCESS;
ROTO-MOULDED HINGED
ACCESS



Ø2330 O/A INNER

Ø2800 BUND BARREL DIAMETER

PLAN VIEW WITHOUT BUND LID



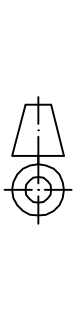
ISOMETRIC VIEW

THIS DRAWING IS COPYRIGHT AND IS ISSUED ON CONDITION THAT IT IS NOT
COPIED, REPRODUCED OR DISCLOSED TO A THIRD PARTY WITHOUT
CONSENT IN WRITING OF BALMORAL GROUP LTD., ABERDEEN

ISSUE	MODIFICATION	BY	CHK	APV	DATE
01	FIRST ISSUE	KG			

BALMORAL TANKS

Balmoral Park, Lortston, Aberdeen AB12 3GY, Scotland
Telephone +44 (0)1224 859000 Fax +44 (0)1224 859059
E-mail group@balmoral.co.uk



FIRST ANGLE PROJECTION



THIRD ANGLE PROJECTION

ALL DIMENSIONS IN MILLIMETRES UNLESS STATED OTHERWISE - DO NOT SCALE
IF IN DOUBT - ASK

TANK RANGE
BALMORAL CHEMICAL TANKS

DRAWING TITLE
CB10,000 - GENERAL ARRANGEMENT

DRAWN BY K.Gibson	CHECKED BY	APPROVED BY	DRAWING No. 0064-004 JSR
SCALE 1:35	DATE October 2006	SHEET SIZE A3	TYPE STD. DRG.