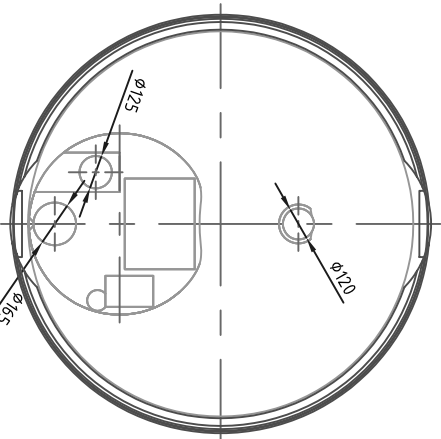


ISOMETRIC VIEW



PLAN VIEW WITHOUT BUND COVER

- GENERAL NOTES:**
1. INSTALLATION INSTRUCTIONS ARE PROVIDED WITH EACH TANK.
  2. ALL DIMENSIONS ARE APPROXIMATE AND FOR INFORMATION ONLY.
  3. SITE FOUNDATIONS TO ACCOMMODATE WEIGHT OF TANK PLUS CONTENTS.

ISSUE	MODIFICATION	BY	CHK	APV	DATE
02	FORMAT CHANGE FOR SALES INFO	RH	GE	GE	10/12/04
01	FIRST ISSUE	MHK	GE	GE	02/02/04

**BALMORAL TANKS**

Balmoral Park, Lornston, Aberdeen AB12 3GV, Scotland  
 Telephone +44 (0)1224 859000 Fax +44 (0)1224 859059  
 E-mail [group@balmoral.co.uk](mailto:group@balmoral.co.uk)



THIS DRAWING IS COPYRIGHT AND IS ISSUED ON CONDITION THAT IT IS NOT COPIED, REPRODUCED OR DISCLOSED TO A THIRD PARTY WITHOUT CONSENT IN WRITING OF BALMORAL GROUP LTD., ABERDEEN



FIRST ANGLE PROJECTION



THIRD ANGLE PROJECTION

ALL DIMENSIONS IN MILLIMETRES UNLESS STATED OTHERWISE - DO NOT SCALE IF IN DOUBT - ASK

TANK RANGE  
**BALMORAL CHEMICAL TANKS**

DRAWING TITLE  
**CB1300 - GENERAL ARRANGEMENT**

SCALE	DATE	SHEET SIZE	DRAWING No.
1:20	FEBRUARY 2004	A3	0064-0018

