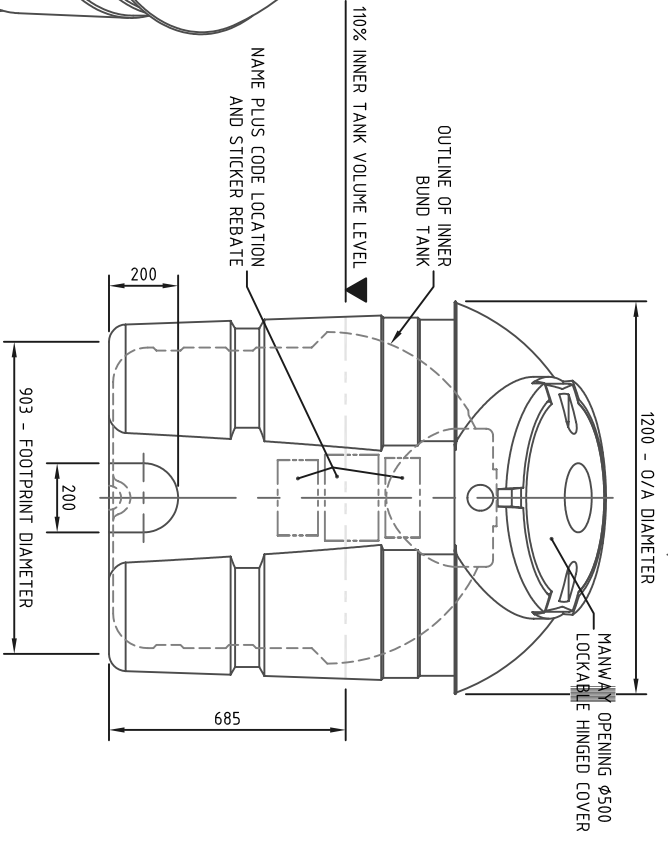
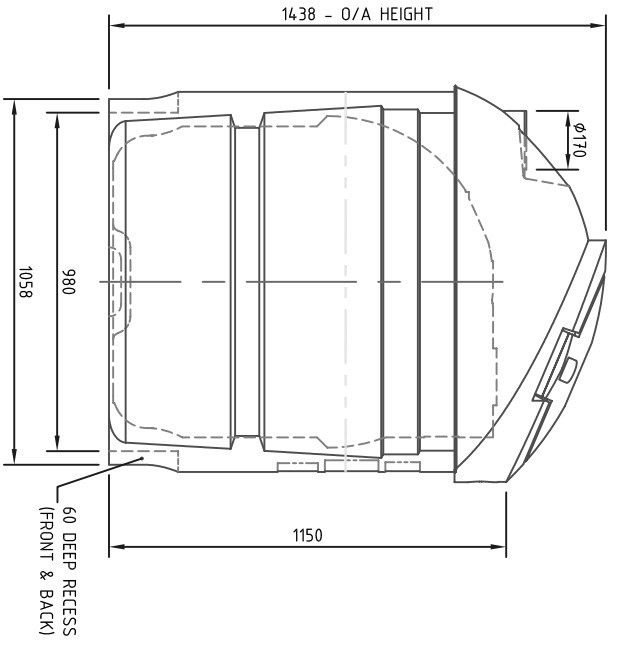


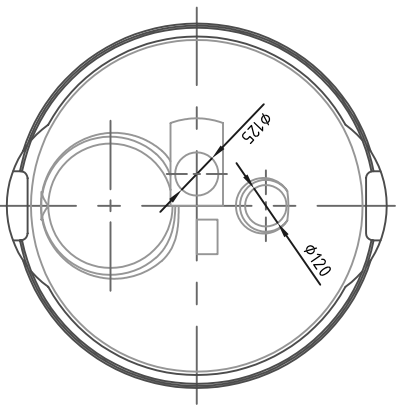
ISOMETRIC VIEW



FRONT ELEVATION



SIDE ELEVATION



PLAN VIEW WITHOUT BUND COVER

02	FORMAT CHANGE FOR SALES INFO	RH	GE	GE	10/12/04
01	FIRST ISSUE	MHK	GE	GE	23/08/04
ISSUE	MODIFICATION	BY	CHK	APV	DATE

BALMORAL TANKS

Balmoral Park, Lornston, Aberde-en AB12 3GJ, Scotland
 Telephone +44 (0)1224 859000 Fax +44 (0)1224 859059
 E-mail group@balmoral.co.uk



THIS DRAWING IS COPYRIGHT AND IS ISSUED ON CONDITION THAT IT IS NOT
 COPIED, REPRODUCED OR DISCLOSED TO A THIRD PARTY WITHOUT
 CONSENT IN WRITING OF BALMORAL GROUP LTD., ABERDEEN



FIRST ANGLE PROJECTION



THIRD ANGLE PROJECTION

ALL DIMENSIONS IN MILLIMETRES UNLESS STATED OTHERWISE - DO NOT SCALE
 IF IN DOUBT - ASK

TANK RANGE
BALMORAL CHEMICAL TANKS

DRAWING TITLE
CB500 - GENERAL ARRANGEMENT

DRAWN BY	CHECKED BY	APPROVED BY	DRAWING No.
MATTHEW KIMBLE	GORDON EDMOND	GORDON EDMOND	0064-0043
SCALE	DATE	SHEET SIZE	TYPE
1/15	AUGUST 2004	A3	STD. DRG.

GENERAL NOTES:
 1. INSTALLATION INSTRUCTIONS ARE PROVIDED WITH EACH TANK.
 2. ALL DIMENSIONS ARE APPROXIMATE AND FOR INFORMATION ONLY.
 3. SITE FOUNDATIONS TO ACCOMMODATE WEIGHT OF TANK PLUS CONTENTS.