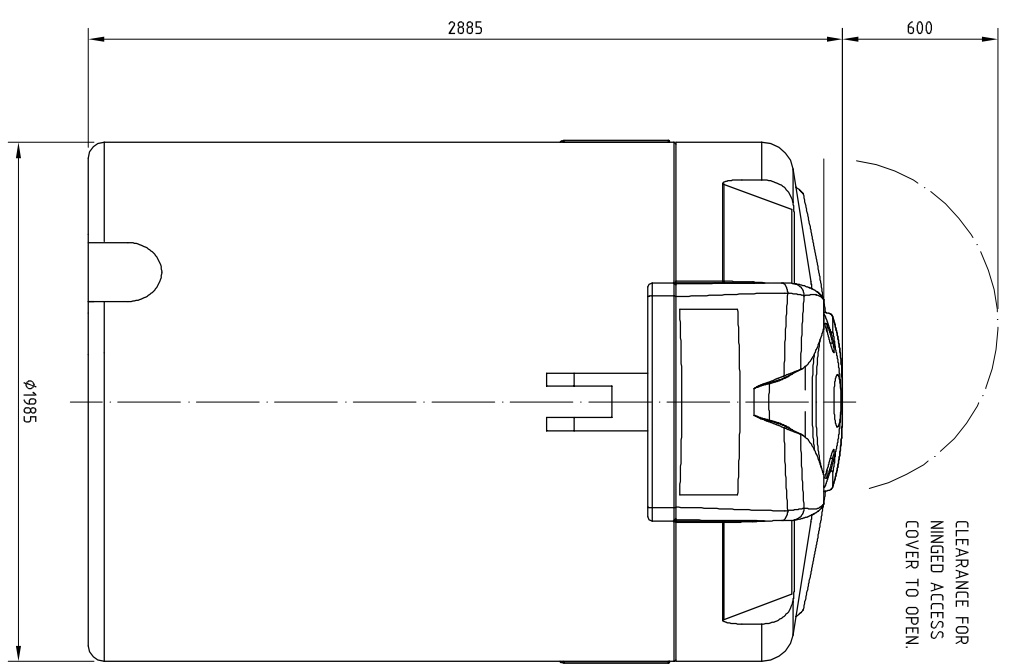
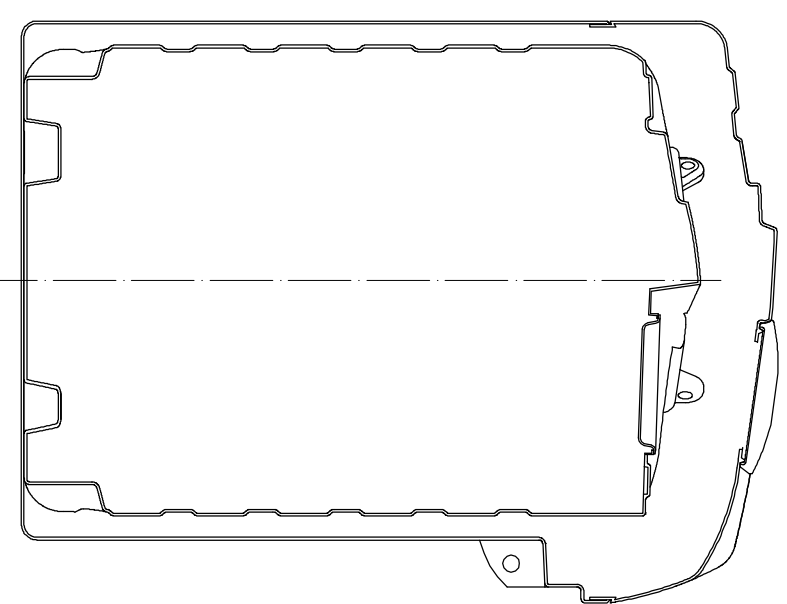


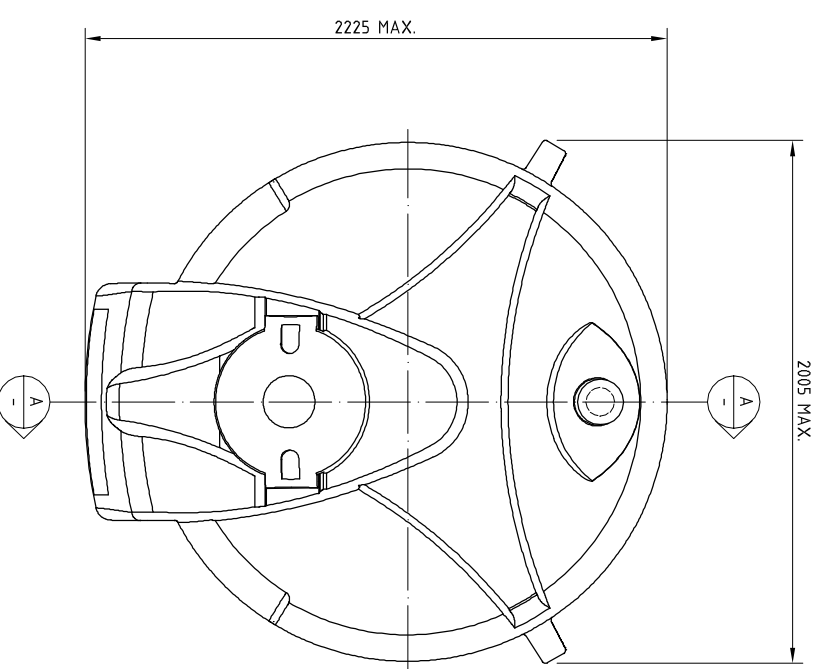
CLEARANCE FOR
HINGED ACCESS
COVER TO OPEN



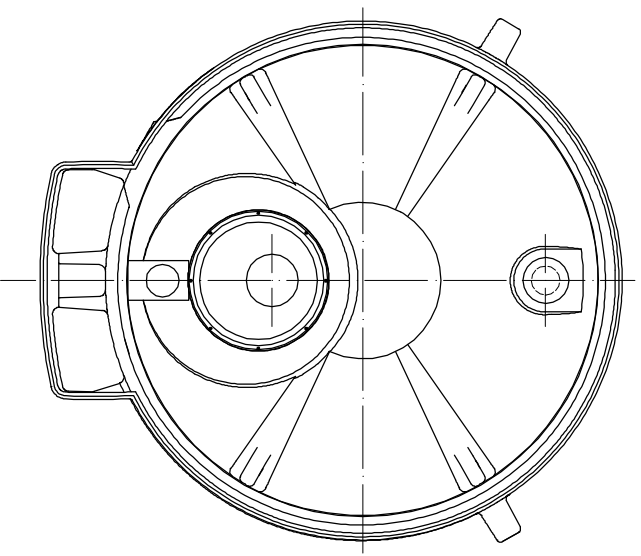
FRONT ELEVATION



SECTION A-A



PLAN VIEW



PLAN VIEW WITH BUND LID REMOVED

THIS DRAWING IS COPYRIGHT AND IS ISSUED ON CONDITION THAT IT IS NOT
COPIED, REPRODUCED OR DISCLOSED TO A THIRD PARTY WITHOUT
CONSENT IN WRITING OF BALMORAL GROUP LTD, ABERDEEN



ALL DIMENSIONS IN MILLIMETRES UNLESS STATED OTHERWISE - DO NOT SCALE
IF IN DOUBT - ASK

ITEM	DESCRIPTION	MATERIAL	QTY.	REMARKS

ISSUE	FIRST ISSUE	MODIFICATION	BY	CHK	APV	DATE
01						

BALMORAL GROUP LTD
 Balmoral Park, Lathrossan, Aberdeen AB12 3GT, Scotland
 Telephone +44 (0)1224 859000 Fax +44 (0)1224 859059
 E-mail group@balmoral.co.uk



CLIENT
BALMORAL CHEMICAL TANKS
 PROJECT No. _____

DRAWING TITLE
CB5000 - SECOND GENERATION - NO CABINET

DRAWN BY K.Gibson	CHECKED BY	APPROVED BY	DRAWING No.
SCALE 1:20	DATE July 2007	SHEET SIZE A2	JOB No.