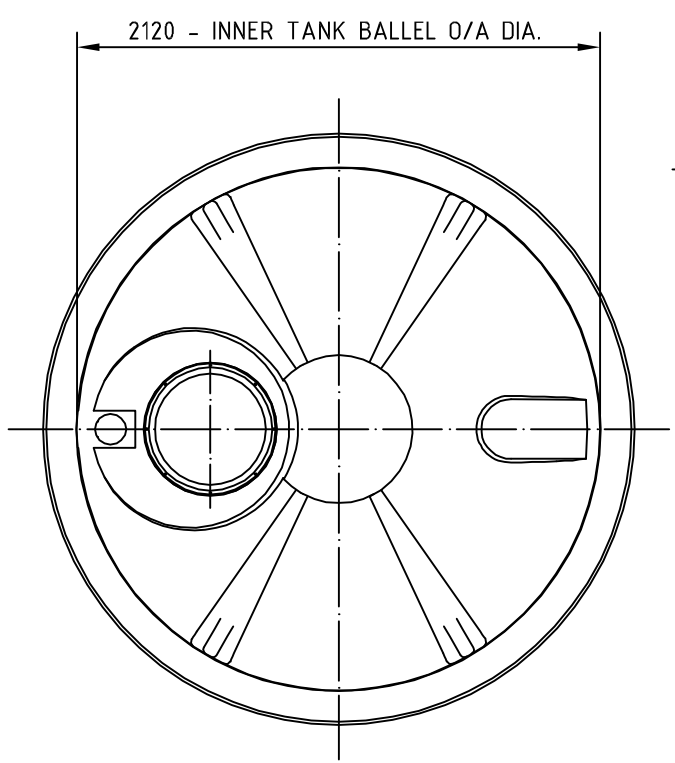
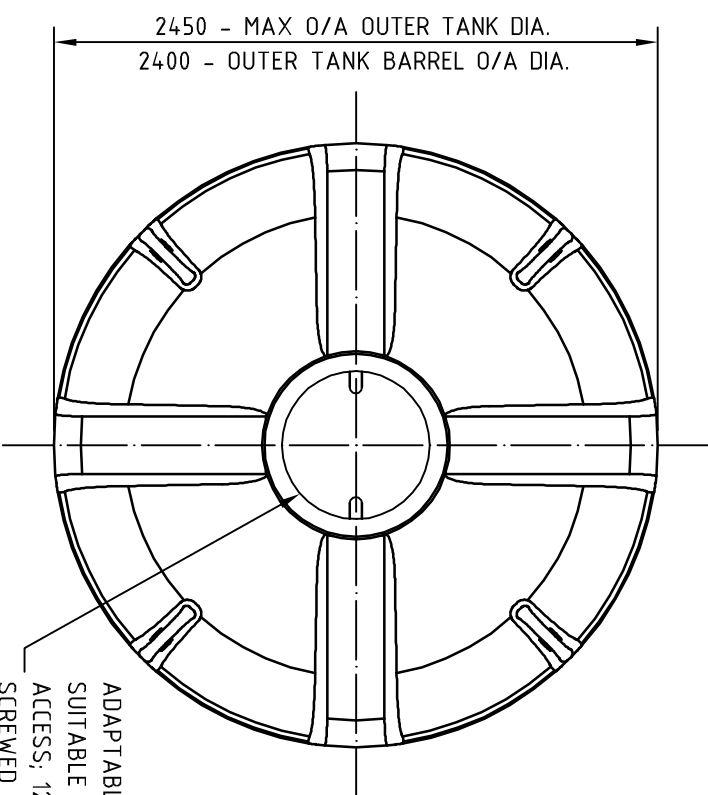


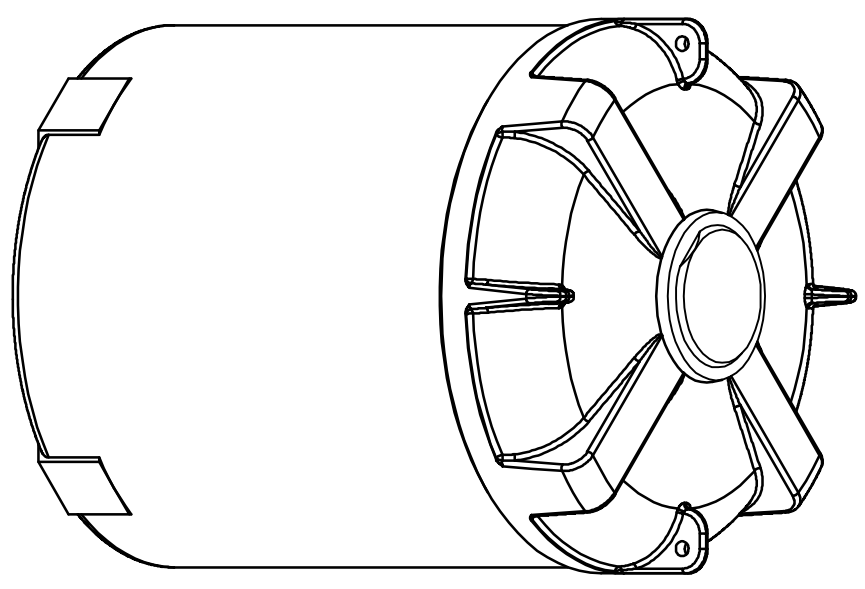
FRONT ELEVATION



PLAN VIEW (WITH BUND LID REMOVED)



PLAN VIEW



ISOMETRIC VIEW

- GENERAL NOTES :**
1. INSTALLATION INSTRUCTIONS ARE PROVIDED WITH EACH TANK.
 2. ALL DIMENSIONS ARE APPROXIMATE AND FOR INFORMATION ONLY.
 3. ALLOW FOR EXPANSION WHEN TANK IS FULL.
 4. SITE FOUNDATIONS TO ACCOMMODATE WEIGHT OF TANK PLUS CONTENTS.

THIS DRAWING IS COPYRIGHT AND IS ISSUED ON CONDITION THAT IT IS NOT COPIED, REPRODUCED OR DISCLOSED TO A THIRD PARTY WITHOUT CONSENT IN WRITING OF BALMORAL GROUP LTD., ABERDEEN

BALMORAL GROUP LTD

Balmoral Park, Lochnis, Aberdeen AB12 3GY, Scotland
 Telephone +44 (0)1224 859000 Fax +44 (0)1224 859059
 E-mail group@balmoral.co.uk



ISSUE	MODIFICATION	BY	CHK	APV	DATE
01	FIRST ISSUE				

<p>FIRST ANGLE PROJECTION</p>	<p>THIRD ANGLE PROJECTION</p>
-------------------------------	-------------------------------

ALL DIMENSIONS IN MILLIMETRES UNLESS STATED OTHERWISE - DO NOT SCALE
 IF IN DOUBT - ASK

CLIENT
BALMORAL CHEMICAL TANKS

PROJECT No.
0064

DRAWING TITLE
CB7500 - GENERAL ARRANGEMENT

DRAWN BY K.Gibson	CHECKED BY	APPROVED BY	DRAWING No. 0064-0046SR
SCALE 1:30	DATE JUL Y 2004	SHEET SIZE A3	JOB No.
		SALES DRG.	