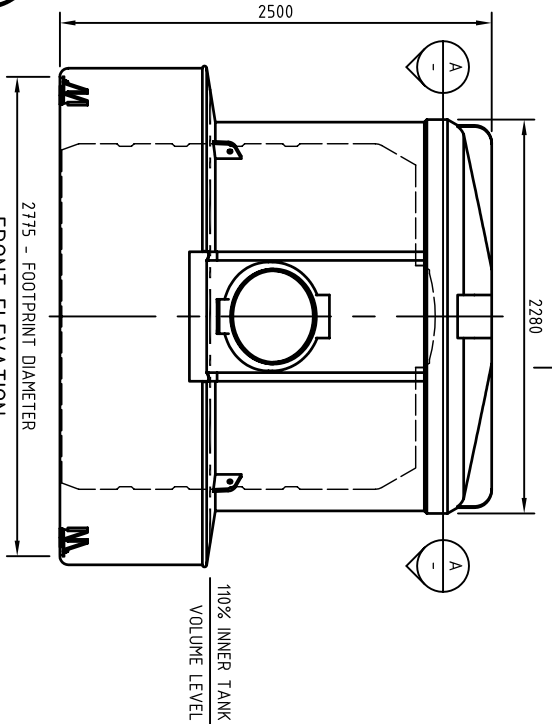
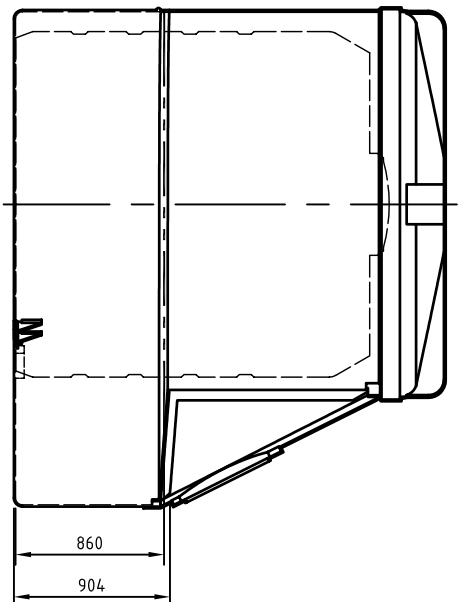


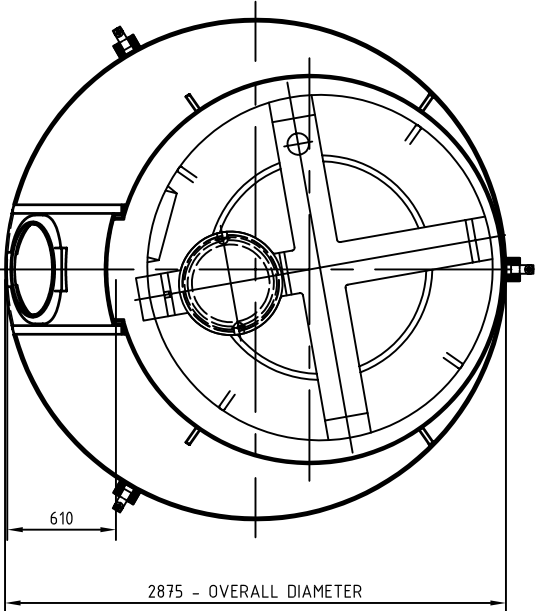
ISOMETRIC VIEW - FITTED OUT



FRONT ELEVATION



SIDE ELEVATION



SECTION 'A-A'

- GENERAL NOTES:
1. INSTALLATION INSTRUCTIONS ARE PROVIDED WITH EACH TANK.
 2. ALL DIMENSIONS ARE APPROXIMATE AND FOR INFORMATION ONLY.
 3. SITE FOUNDATIONS TO ACCOMMODATE WEIGHT OF TANK PLUS CONTENTS.

ISSUE	MODIFICATION	BY	CHK	APV	DATE
03	FORMAT UPDATE	CH	KG		15.12.04
02	FORMAT CHANGE FOR SALES INFO	RH	GE		10/12/04
01	FIRST ISSUE	MHK	GE		30.08.04

BALMORAL TANKS

Balmoral Park, Lorton, Aberdeen AB12 3GY, Scotland
 Telephone +44 (0)1224 859000 Fax +44 (0)1224 859059
 E-mail group@balmoral.co.uk



THIS DRAWING IS COPYRIGHT AND IS ISSUED ON CONDITION THAT IT IS NOT COPIED, REPRODUCED OR DISCLOSED TO A THIRD PARTY WITHOUT CONSENT IN WRITING OF BALMORAL GROUP LTD., ABERDEEN



FIRST ANGLE PROJECTION



THIRD ANGLE PROJECTION

ALL DIMENSIONS IN MILLIMETRES UNLESS STATED OTHERWISE - DO NOT SCALE IF IN DOUBT - ASK

TANK RANGE
BALMORAL CHEMICAL TANKS

DRAWING TITLE

TCCS000 - GENERAL ARRANGEMENT

SCALE	DATE	SHEET SIZE	DRAWING No.
1:30	AUGUST 2004	A3	0064-0051

STANDARD FITTINGS
1" NB (Ø32 ODI) BOTTOM OFFTAKE
2" NB (Ø63 ODI) FILL LINE WITH 1" (Ø32) NB DRAIN
3" NB (Ø90 ODI) OVERFLOW
4" NB (Ø110 ODI) VENT
UNITOP CONTENTS GAUGE

ADDITIONAL FITTINGS