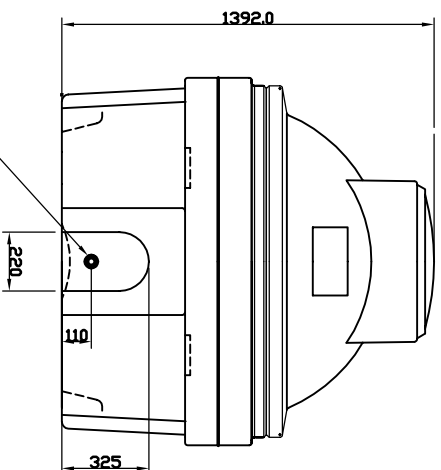
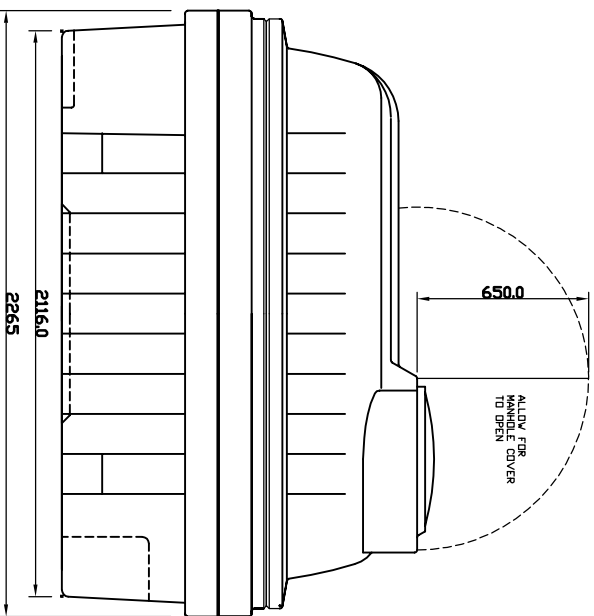
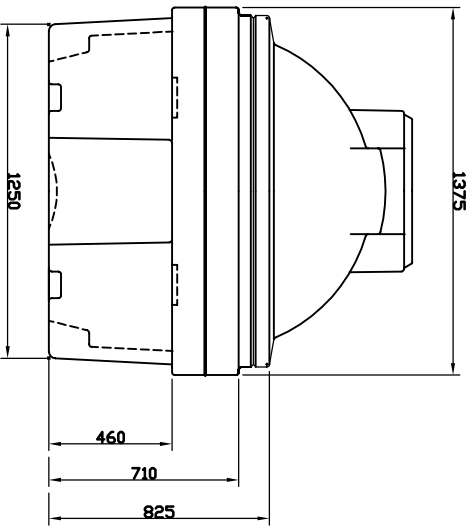
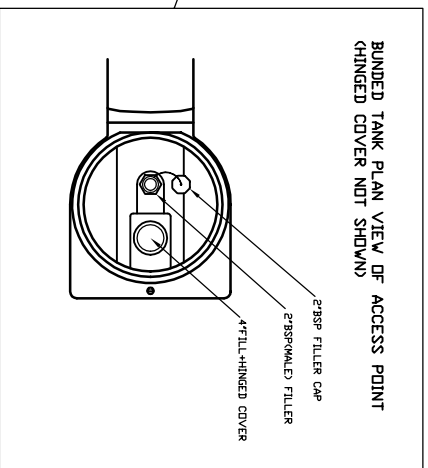
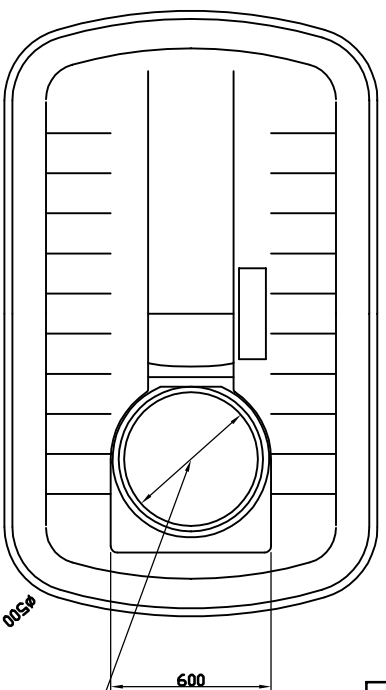


THIS DRAWING IS COPYRIGHT AND ISSUED ON CONDITION THAT IT IS NOT COPIED, REPRODUCED OR DISCUSSED TO A THIRD PARTY WITHOUT THE CONSENT IN WRITING OF BALMORAL GROUP LTD. ABERDEEN



TOP FILL
BOTTOM EMPTY
(1" BSP male threaded outlet)

TANK STOCK NO.
BRM HB1135 0-079-DIL
BRM HB1590 0-080-DIL

ALL DIMENSIONS ARE APPROXIMATE/FOR INFORMATION ONLY
ALLOW FOR TANK EXPANSION WHEN FULL (eg 150mm)
ALLOW FOR WEIGHT OF TANK WHEN FULL IN SITE PREPARATION.
FOLLOW INSTALLATION INSTRUCTIONS PROVIDED WITH EACH TANK



BALMORAL ROTATIONAL MOLDING
BALMORAL PARK, LORRISTON, ABERDEEN, AB9 2BY
TEL: 01224 859100 FAX: 01224 859123

BASED ON ISS

B

DRAWING No. BM018 I 01

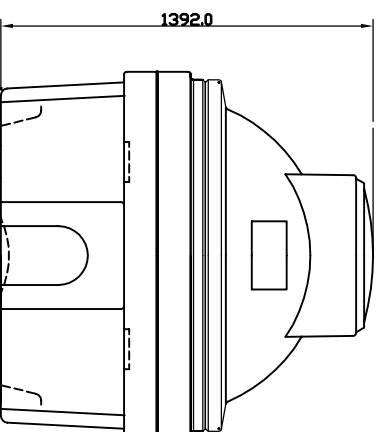
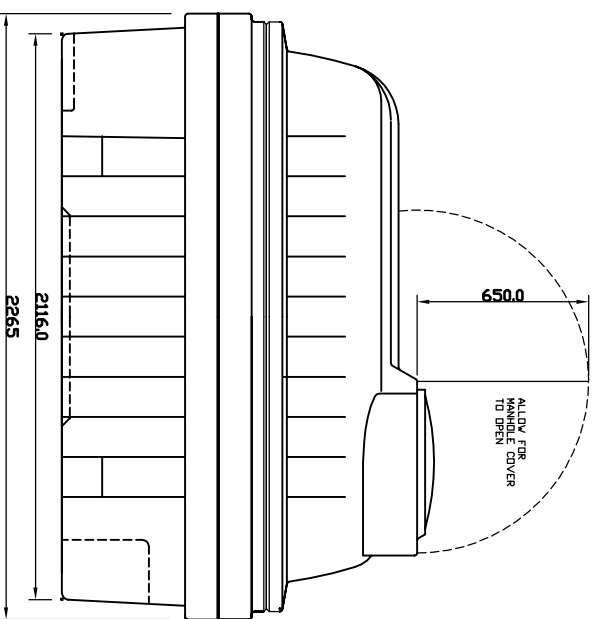
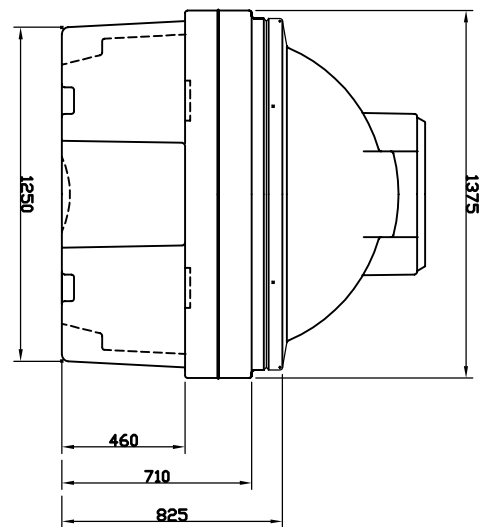
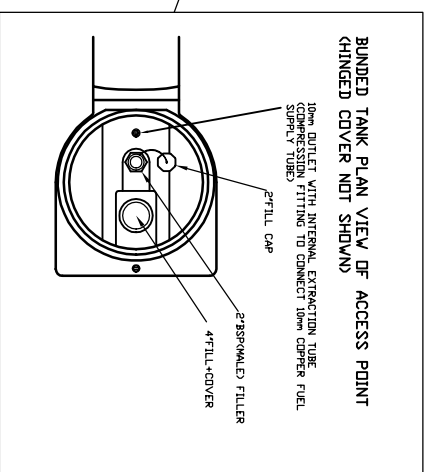
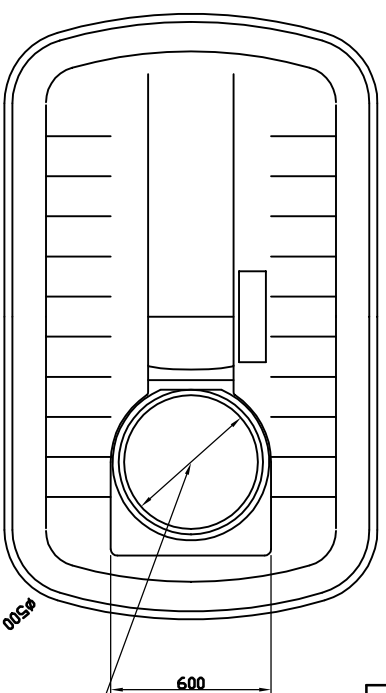
DRAWN BY PRN

TITLE
BRM HB 1135/BRM HB 1590
BUNDLED TANK OUTER DIMENSIONS
BOTTOM OUTLET TYPE ONLY

DATE 15.11.95

PRODUCT STOCK NO.
SEE DETAILS ON DRG.

THIS DRAWING IS COPYRIGHT AND ISSUED ON CONDITION THAT IT IS NOT COPIED, REPRODUCED OR DISCUSSED TO A THIRD PARTY WITHOUT THE CONSENT IN WRITING OF BALMORAL GROUP LTD. ABERDEEN



TOP FILL
TOP OUTLET
10mm COMPRESSION FITTING TO
SUIT 10MM COPPER FUEL SUPPLY PIPE
TO HEATING SYSTEMS

TANK
BRM HB1135
BRM HB1590

STOCK NO.
0-082-DIL
0-083-DIL

ALL DIMENSIONS ARE APPROXIMATE/FOR INFORMATION ONLY
ALLOW FOR TANK EXPANSION WHEN FULL. (eg 150mm)
ALLOW FOR WEIGHT OF TANK WHEN FULL IN SITE PREPARATION.
FOLLOW INSTALLATION INSTRUCTIONS PROVIDED WITH EACH TANK



BALMORAL ROTATIONAL MouldING
BALMORAL PARK, LORRISTON, ABERDEEN, AB9 2BY
TEL: 01224 859100 FAX: 01224 859123

BASED ON ISS

B

DRAWING No. BM018 I 01

DRAWN BY

PRN

TITLE
BRM HB 1135/BRM HB 1590
BUNDLED TANK OUTER DIMENSIONS
TOP OUTLET TYPE

DATE

15.11.95

PRODUCT STOCK NO.

SEE DETAILS ON DRG.