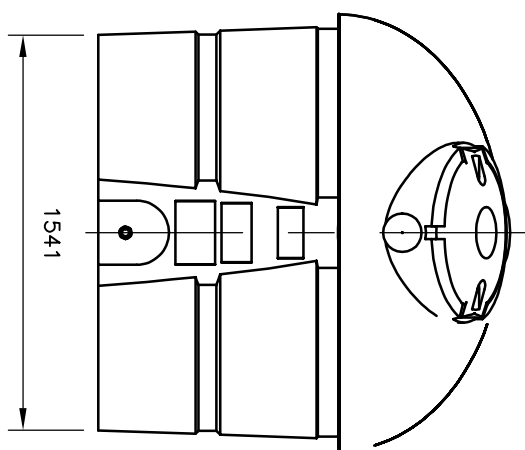


STOCK NO: 00-181-OIL

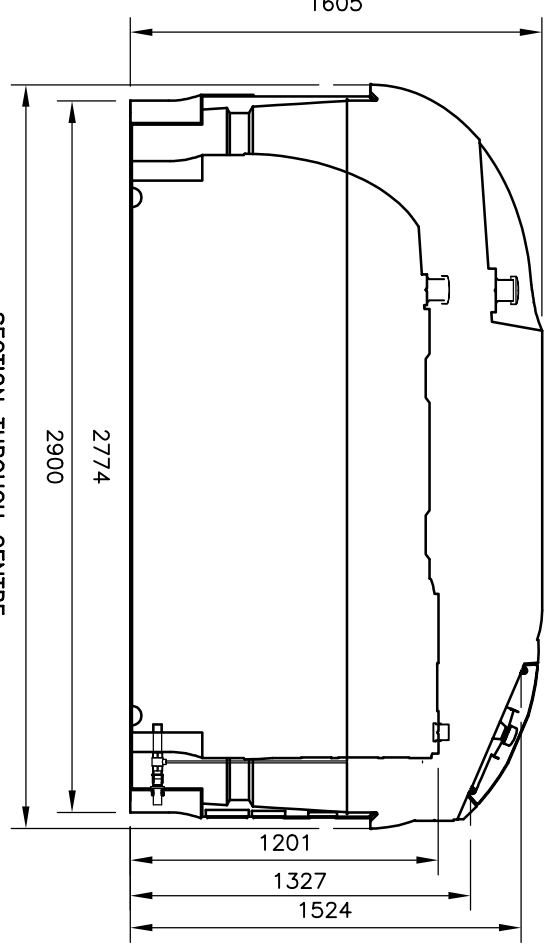
ALLOW 600MM TO OPEN HINGE LID

ALL DIMENSIONS ARE IN MM AND ARE APPROXIMATE FOR INFORMATION ONLY

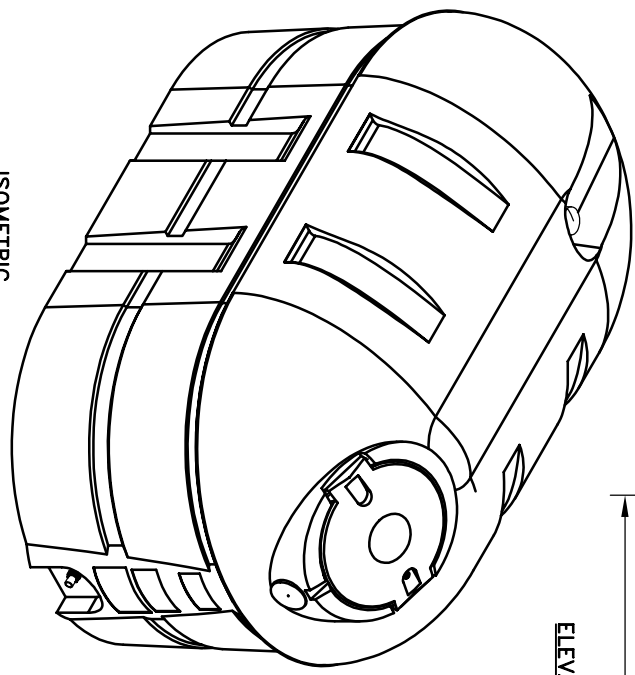
THIS DRAWING IS COPYRIGHT AND IS ISSUED ON CONDITION THAT IT IS NOT COPIED REPRODUCED OR DISCLOSED TO A THIRD PARTY WITHOUT THE CONSENT IN WRITING OF BALMORAL GROUP LTD., ABERDEEN



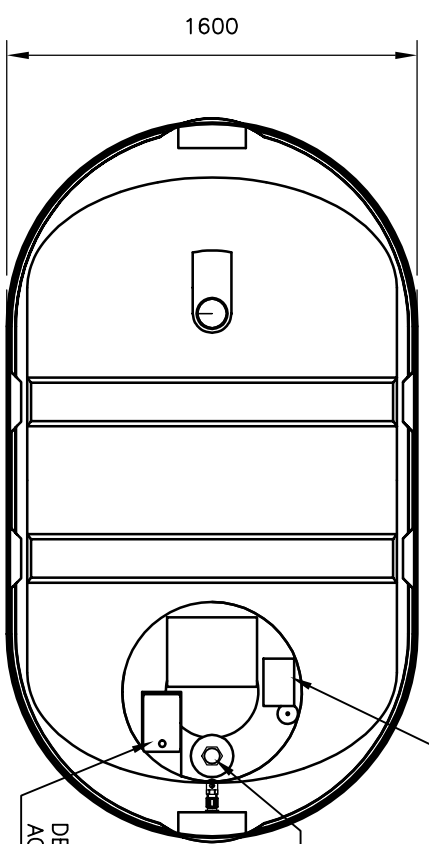
ELEVATION



SECTION THROUGH CENTRE



ISOMETRIC



PLAN VIEW WITHOUT BUND COVER

PROVISION FOR GAUGE
2" FILL POINT
DE-SLUDGING ACCESS

BALMORAL GROUP LTD.

Balmoral Park, Lorrston, Aberdeen, AB12 3GY Scotland
Telephone (01224) 859000 Fax (01224) 859059

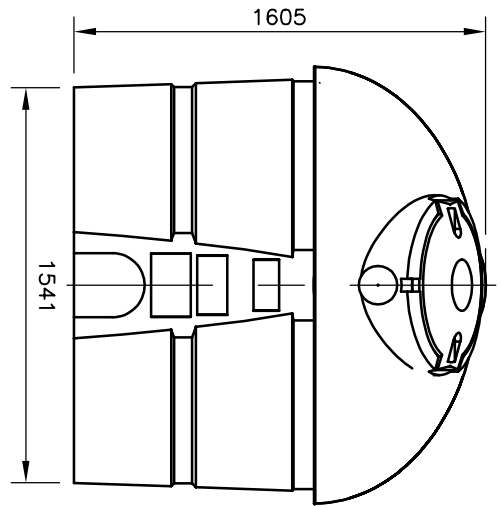
01	FIRST ISSUE	EG	27/01/00	JOB No. : BM029	CHECK :
ISSUE	MODIFICATION	BY	DATE		
		CHK		CLIENT : BALMORAL TANKS	
				DESCRIPTION : HB2500 BOTTOM EMPTY	
				PROJECT ID No. : 0028	DRAWN : EG
					CHECK :
				DRAWING No. : HB2500BE	

STOCK NO: 00-191-OIL

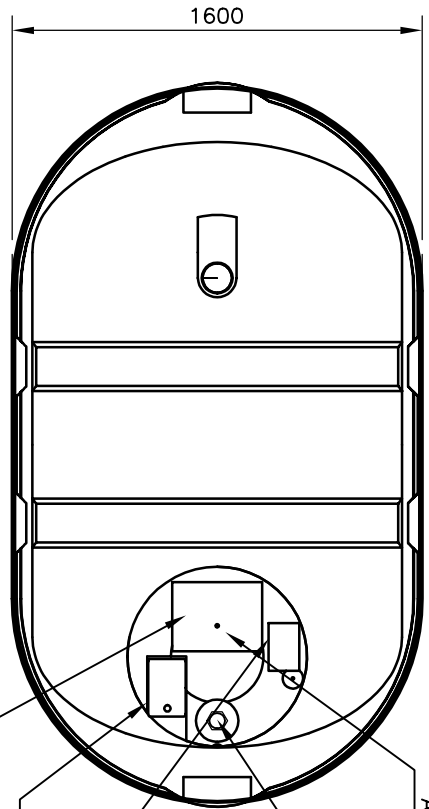
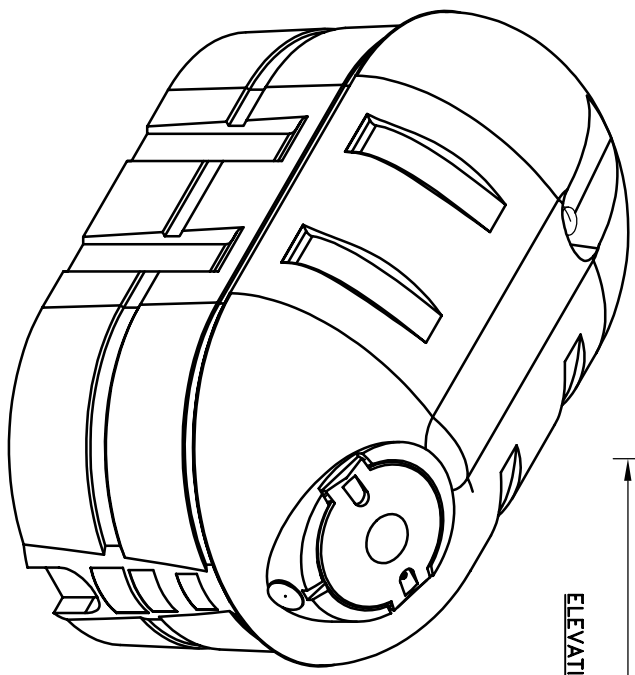
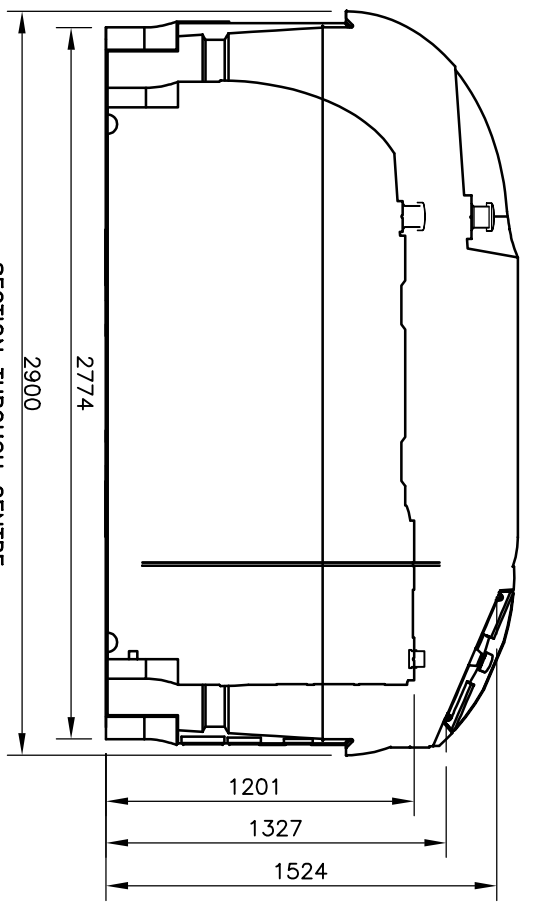
ALLOW 600MM TO OPEN HINGE LID

ALL DIMENSIONS ARE IN MM AND ARE APPROXIMATE AND FOR INFORMATION ONLY

THIS DRAWING IS COPYRIGHT AND IS ISSUED ON CONDITION THAT IT IS NOT COPIED OR DISCLOSED TO A THIRD PARTY WITHOUT THE CONSENT IN WRITING OF BALMORAL GROUP LTD., ABERDEEN



SECTION THROUGH CENTRE



PLAN VIEW WITHOUT BUND COVER

BALMORAL GROUP LTD.

Balmoral Park, Lorrston, Aberdeen, AB12 3GY Scotland
 Telephone (01224) 859000 Fax (01224) 859059

01	FIRST ISSUE	EG	26/01/00	CLIENT : BALMORAL TANKS
ISSUE	MODIFICATION	BY	DATE	DESCRIPTION : HB2500 TOP EMPTY
		CHK		PROJECT ID No. : 0028
				JOB No. : BM029
				DRAWN : EG
				CHECK :
				DRAWING No. : HB2500TE