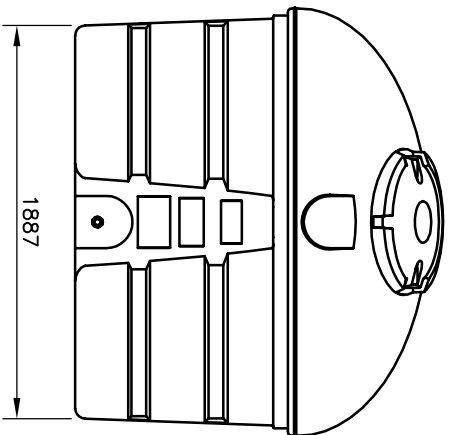


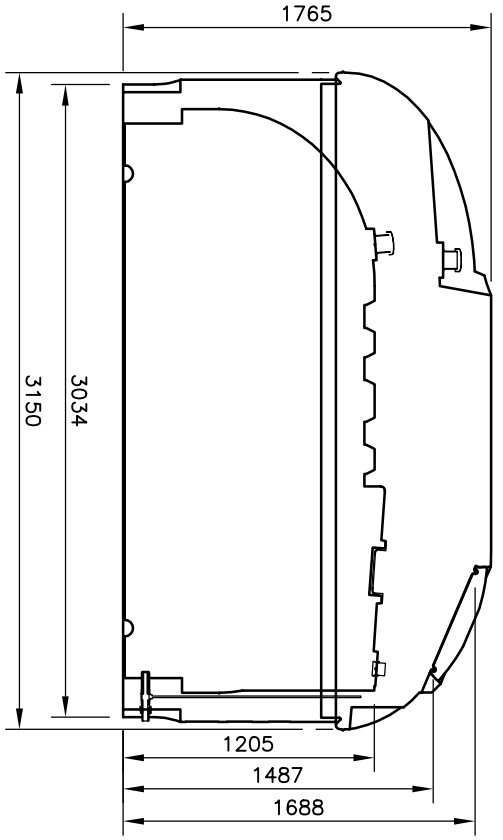
THIS DRAWING IS COPYRIGHT AND ISSUED ON CONDITION THAT IT IS NOT COPIED, REPRODUCED OR DISCUSSED WITH A THIRD PARTY WITHOUT THE CONSENT IN WRITING OF BALMORAL GROUP LTD. ABERDEEN.

FOLLOW INSTALLATION INSTRUCTIONS PROVIDED WITH EACH TANK ALL DIMENSIONS ARE IN MM AND ARE APPROXIMATE FOR INFORMATION ONLY

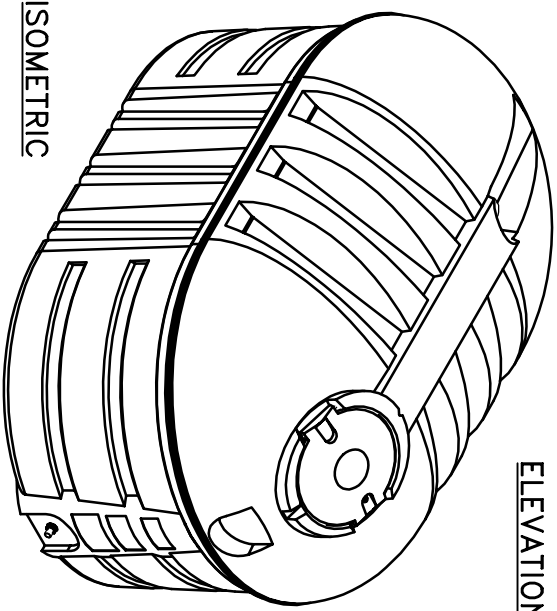
ALLOW 600MM TO OPEN HINGE LID



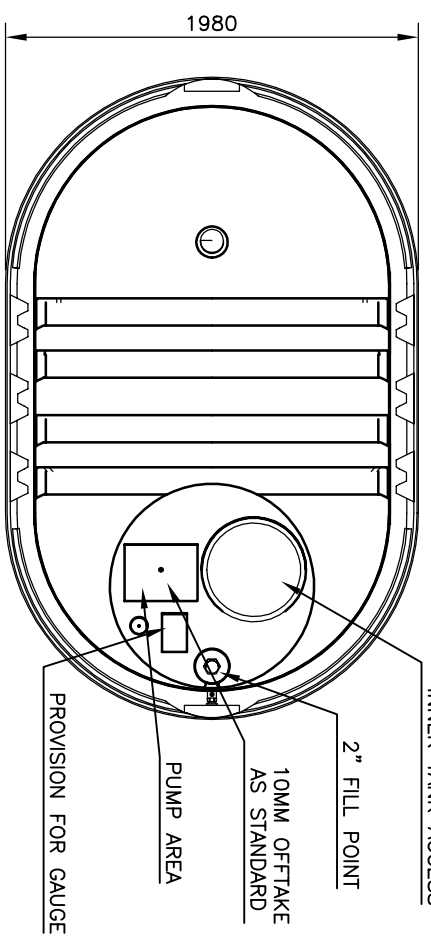
ELEVATION



SECTION THROUGH CENTRE



ISOMETRIC



PLAN VIEW WITHOUT BUND COVER



BALMORAL GROUP LTD.
 Balmoral Park, Loirston, Aberdeen, AB12 3G7 Scotland
 Telephone (01224) 839000 Fax (01224) 839039

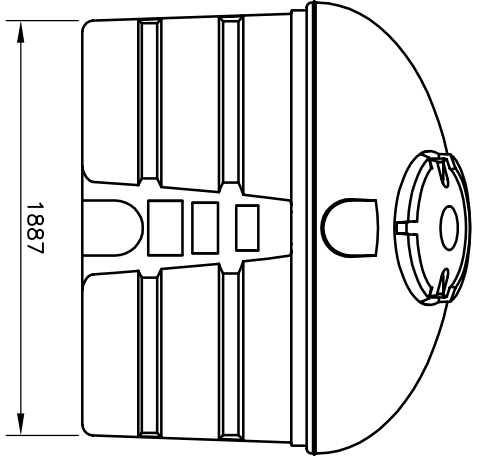
01	FIRST ISSUE	EG	RF	KS	18/10/00	CLIENT : BALMORAL TANKS
ISSUE	MODIFICATION	BY	CHK	APV	DATE	DESCRIPTION : HB3500 BOTTOM EMPTY
						PROJECT ID No. : 1013
						JOB No. : BMO29
						DRAWING No. : 00-182-OIL

1 2 3 4 5 6

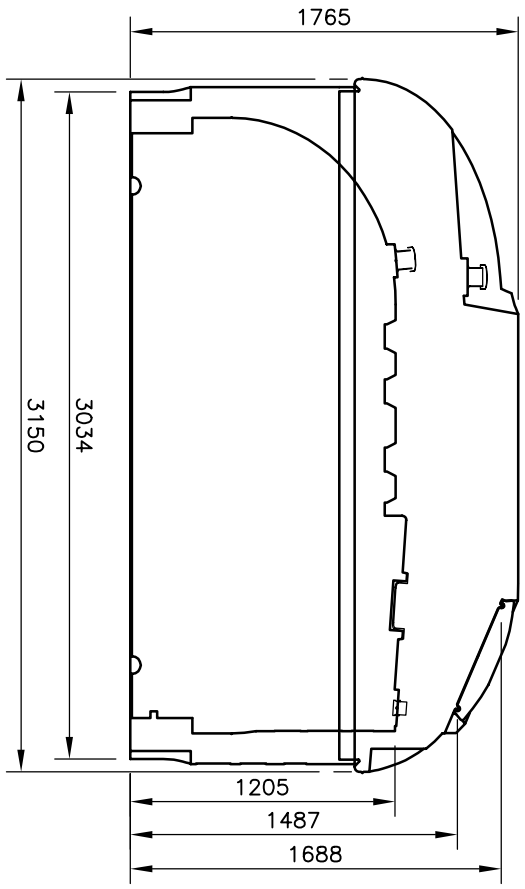
THIS DRAWING IS COPYRIGHT AND ISSUED ON CONDITION THAT IT IS NOT COPIED, REPRODUCED OR DISCUSSED WITH A THIRD PARTY WITHOUT THE CONSENT IN WRITING OF BALMORAL GROUP LTD. ABERDEEN.

FOLLOW INSTALLATION INSTRUCTIONS PROVIDED WITH EACH TANK
ALL DIMENSIONS ARE IN MM AND ARE APPROXIMATE FOR INFORMATION ONLY

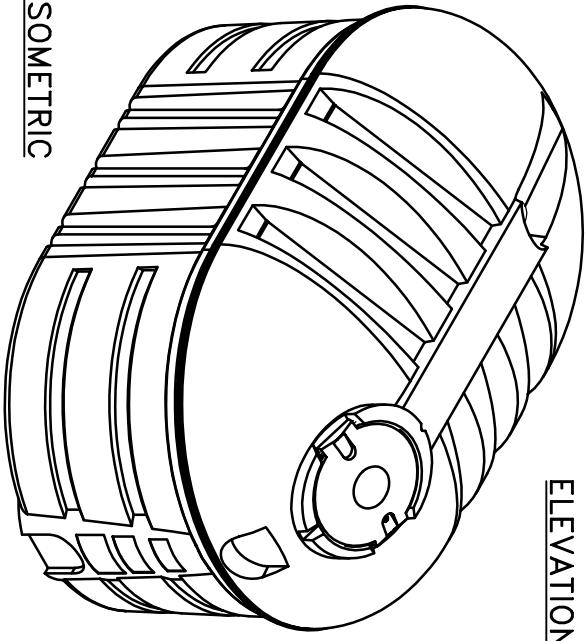
ALLOW 600MM TO OPEN HINGE LID



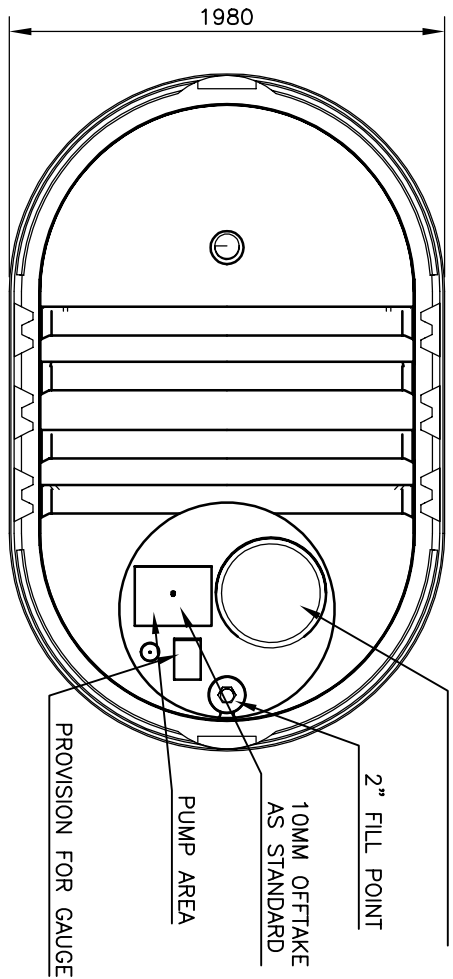
ELEVATION



SECTION THROUGH CENTRE



ISOMETRIC



PLAN VIEW WITHOUT BUND COVER



BALMORAL GROUP LTD.

Balmoral Park, Lorrston, Aberdeen, AB12 3GY Scotland
Telephone (01224) 859000 Fax (01224) 859059

01	FIRST ISSUE	EG	RF	KS	18/10/00	CLIENT : BALMORAL TANKS	DESCRIPTION : HB3500 TOP EMPTY	BY : EG	CHK : RF	APV : KS
ISSUE	MODIFICATION	BY	CHK	APV	DATE			JOB No. : BM029	DRAWING No. : 00-192-01L	

1

2

3

4

5

6