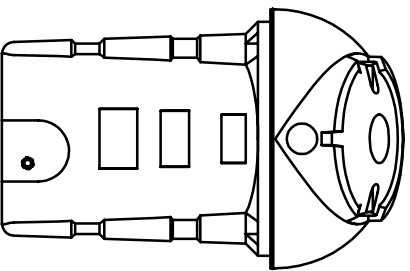


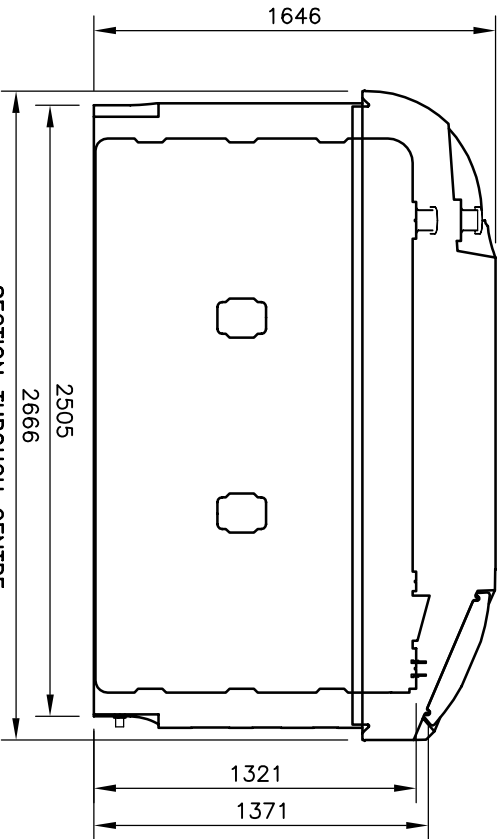
THIS DRAWING IS COPYRIGHT AND ISSUED ON CONDITION THAT IT IS NOT COPIED, REPRODUCED OR DISCUSSED WITH A THIRD PARTY WITHOUT THE CONSENT IN WRITING OF BALMORAL GROUP LTD. ABERDEEN.

GENERAL NOTES:
 FOLLOW INSTALLATION INSTRUCTIONS PROVIDED WITH EACH TANK
 ALL DIMENSIONS ARE IN MM AND ARE APPROXIMATE FOR INFORMATION ONLY

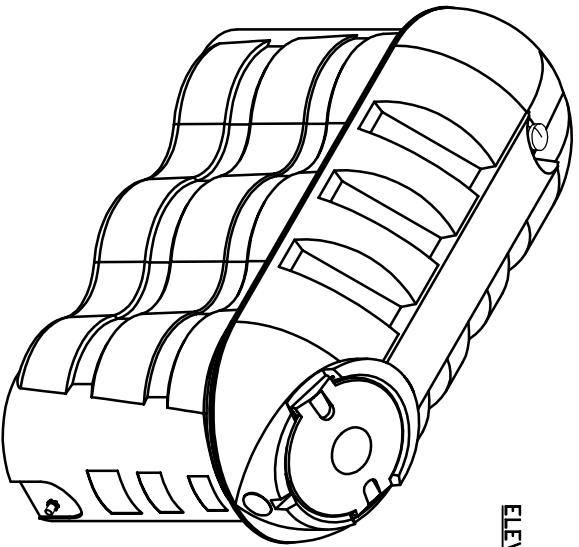
ALLOW 600MM TO OPEN HINGE LID



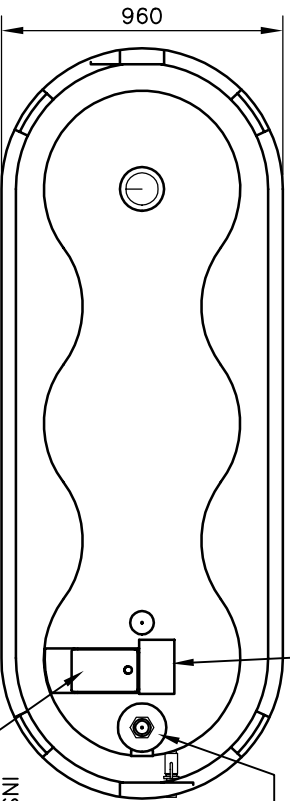
ELEVATION



SECTION THROUGH CENTRE



ISOMETRIC



PLAN WITH BUND LID REMOVED

PROVISION FOR GAUGE

2" FILL POINT

INSPECTION & DESLUDGING ACCESS

BALMORAL GROUP LTD.

Balmoral Park, Liffiston, Aberdeen, AB12 3GY Scotland
 Telephone (01224) 859000 Fax (01224) 859059

01	FIRST ISSUE	EG	RF	ER	22/08/00
ISSUE	MODIFICATION	BY	CHK	APV	DATE

CLIENT : BALMORAL TANKS

DESCRIPTION : SLB1250 BOTTOM EMPTY

PROJECT ID No. : 1015

JOB No. : BM029 J59

BY : EG

CHK : RF

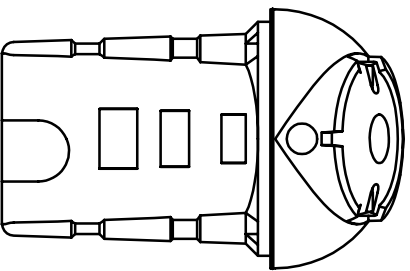
APV : ER

DRAWING No. : 00-184-01L

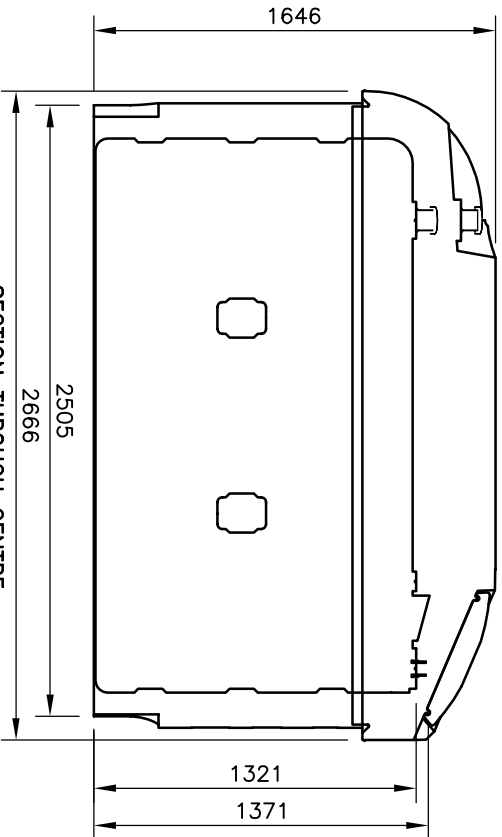
THIS DRAWING IS COPYRIGHT AND ISSUED ON CONDITION THAT IT IS NOT COPIED, REPRODUCED OR DISCUSSED WITH A THIRD PARTY WITHOUT THE CONSENT IN WRITING OF BALMORAL GROUP LTD. ABERDEEN.

GENERAL NOTES:
 FOLLOW INSTALLATION INSTRUCTIONS PROVIDED WITH EACH TANK
 ALL DIMENSIONS ARE IN MM AND ARE APPROXIMATE FOR INFORMATION ONLY

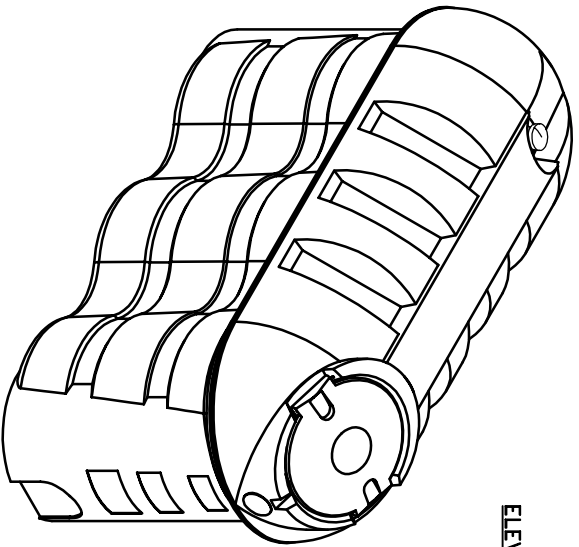
ALLOW 600MM TO OPEN HINGE LID



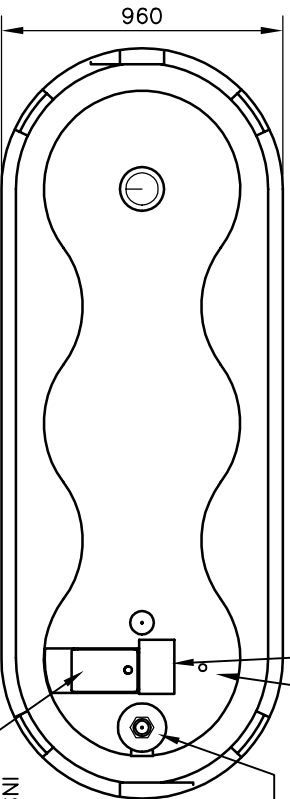
ELEVATION



SECTION THROUGH CENTRE



ISOMETRIC



PLAN WITH BUND LID REMOVED

BALMORAL GROUP LTD.

Balmoral Park, Liffiston, Aberdeen, AB12 3GY Scotland
 Telephone (01224) 859000 Fax (01224) 859059

01	FIRST ISSUE	EG	RF	ER	22/08/00
ISSUE	MODIFICATION	BY	CHK	APV	DATE

CLIENT : BALMORAL TANKS	
DESCRIPTION : SLB1250 TOP EMPTY	
PROJECT ID No. : 1015	BY : EG
JOB No. : BM029 J59	CHK : RF
DRAWING No. : 00-194-01L	APV : ER

1

2

3

4

5

6

1

2

3

4

5

6