

THIS DRAWING IS COPYRIGHT AND IS ISSUED ON CONDITION THAT IT IS NOT COPIED, REPRODUCED OR DISCLOSED TO A THIRD PARTY WITHOUT CONSENT IN WRITING OF BALMORAL GROUP LTD., ABERDEEN



FIRST ANGLE PROJECTION

THIRD ANGLE PROJECTION

ALL DIMENSIONS IN MILLIMETRES UNLESS STATED OTHERWISE - DO NOT SCALE IF IN DOUBT - ASK

VB10,000 BOTTOM OUTLET W/ CABINET INCLUDES:
 2" REMOTE FILL POINT W/ NON RETURN VALVE
 2" OVERFILL PREVENTION DEVICE
 1" BOTTOM OUTLET FITTING
 REMOTE LEVEL GAUGE & BUND ALARM

GENERAL NOTES:
 FOLLOW INSTALLATION INSTRUCTIONS PROVIDED WITH EACH TANK

BALMORAL TANKS RESERVE THE RIGHT TO REVISE THEIR PRODUCT DESIGNS AT ANY TIME.

SI	BB	BB	20/02/07
ISSUE	BY	CHK	APV
DATE	DATE	DATE	DATE
01			

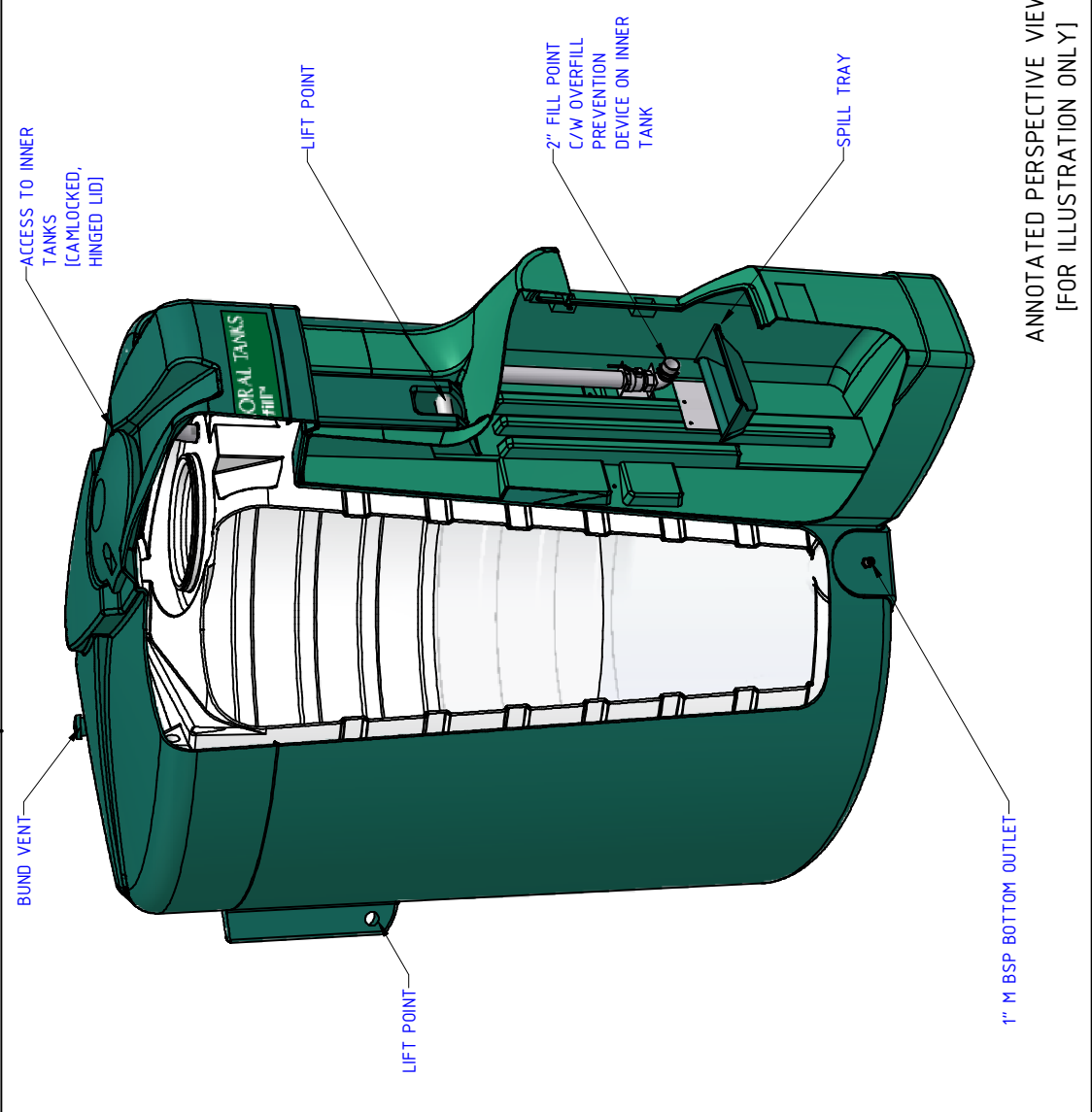
BALMORAL GROUP LTD

Balmoral Park, Loirston, Aberdeen AB12 3GY, Scotland
 Telephone +44 (0)1224 859000 Fax +44 (0)1224 859059
 E-mail group@balmoral.co.uk

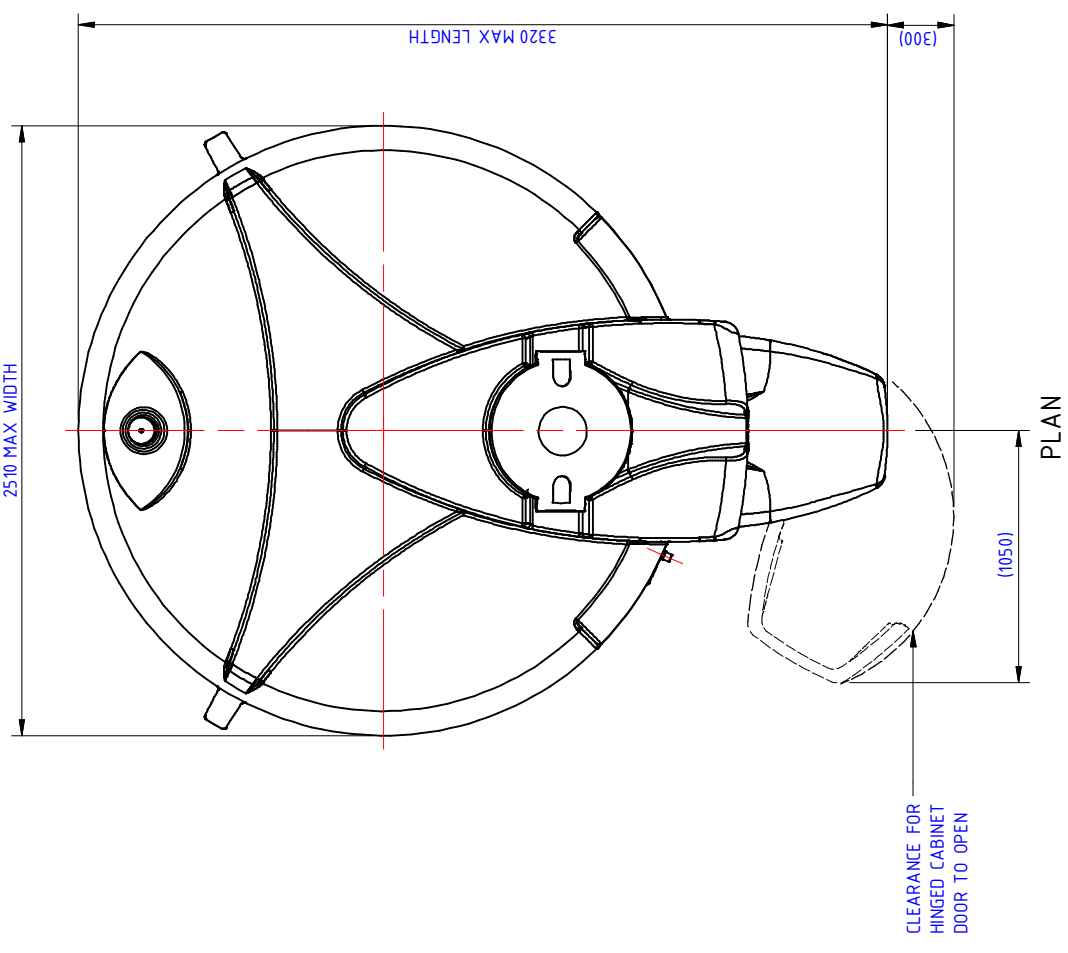


CLIENT	BALMORAL TANKS SALES	PROJECT No.	6003
--------	----------------------	-------------	------

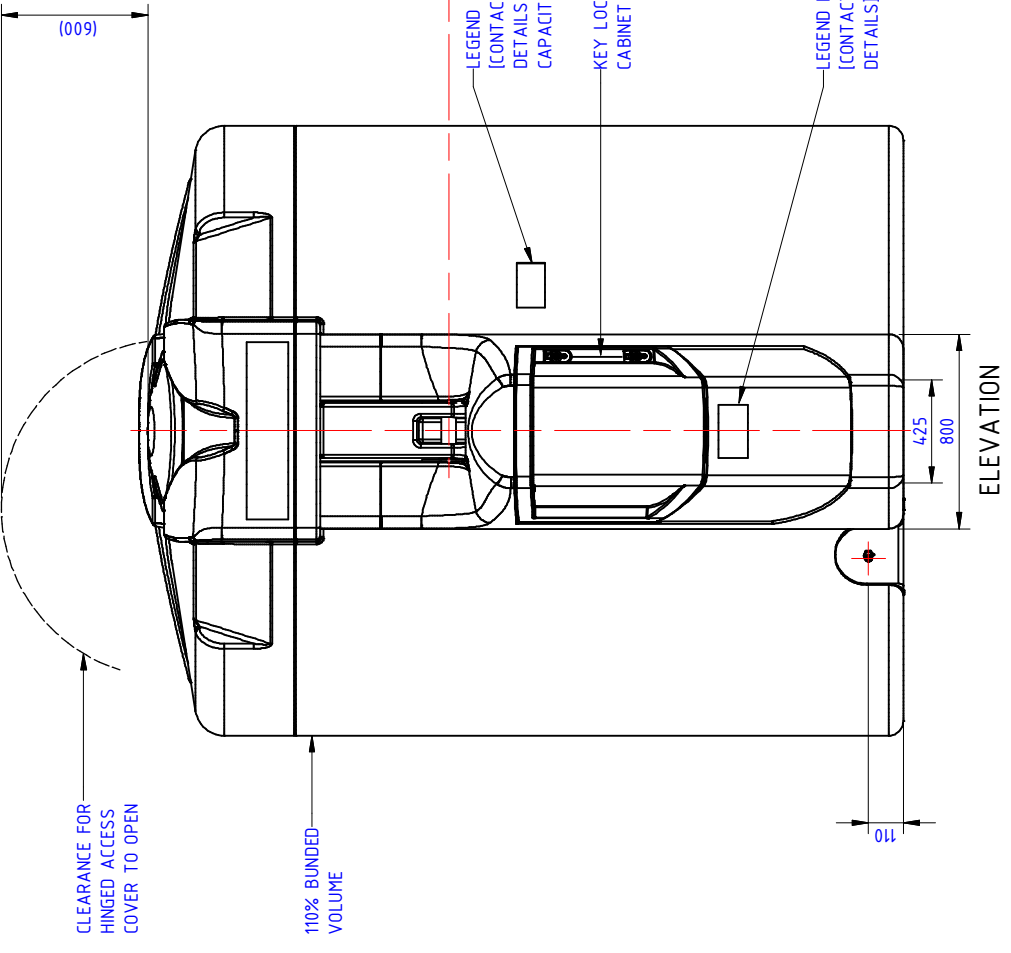
DRAWING TITLE	VB10000 - G.A. BOTTOM OUTLET WITH CABINET		
DRAWN BY	SIRONSIDE	CHECKED BY	B.BAKEWELL
DATE	20th FEBRUARY 2007	APPROVED BY	B.BAKEWELL
SCALE	1:22	SHEET SIZE	A2
		DRAWING No.	6003-INVD-012
		JOB No.	



ANNOTATED PERSPECTIVE VIEW
 (FOR ILLUSTRATION ONLY)



PLAN



ELEVATION

SIDE ELEVATION

THIS DRAWING IS COPYRIGHT AND IS ISSUED ON CONDITION THAT IT IS NOT COPIED, REPRODUCED OR DISCLOSED TO A THIRD PARTY WITHOUT CONSENT IN WRITING OF BALMORAL GROUP LTD., ABERDEEN



ALL DIMENSIONS IN MILLIMETRES UNLESS STATED OTHERWISE - DO NOT SCALE IF IN DOUBT - ASK

VB10,000 TOP OUTLET W/ CABINET INCLUDES:
 2" REMOTE FILL POINT W/ NON RETURN VALVE
 2" OVERFILL PREVENTION DEVICE
 REMOTE LEVEL GAUGE & BUND ALARM

GENERAL NOTES:
 FOLLOW INSTALLATION INSTRUCTIONS PROVIDED WITH EACH TANK

BALMORAL TANKS RESERVE THE RIGHT TO REVISE THEIR PRODUCT DESIGNS AT ANY TIME.

01	SI	BB	BB	20/02/07
ISSUE	BY	CHK	APV	DATE

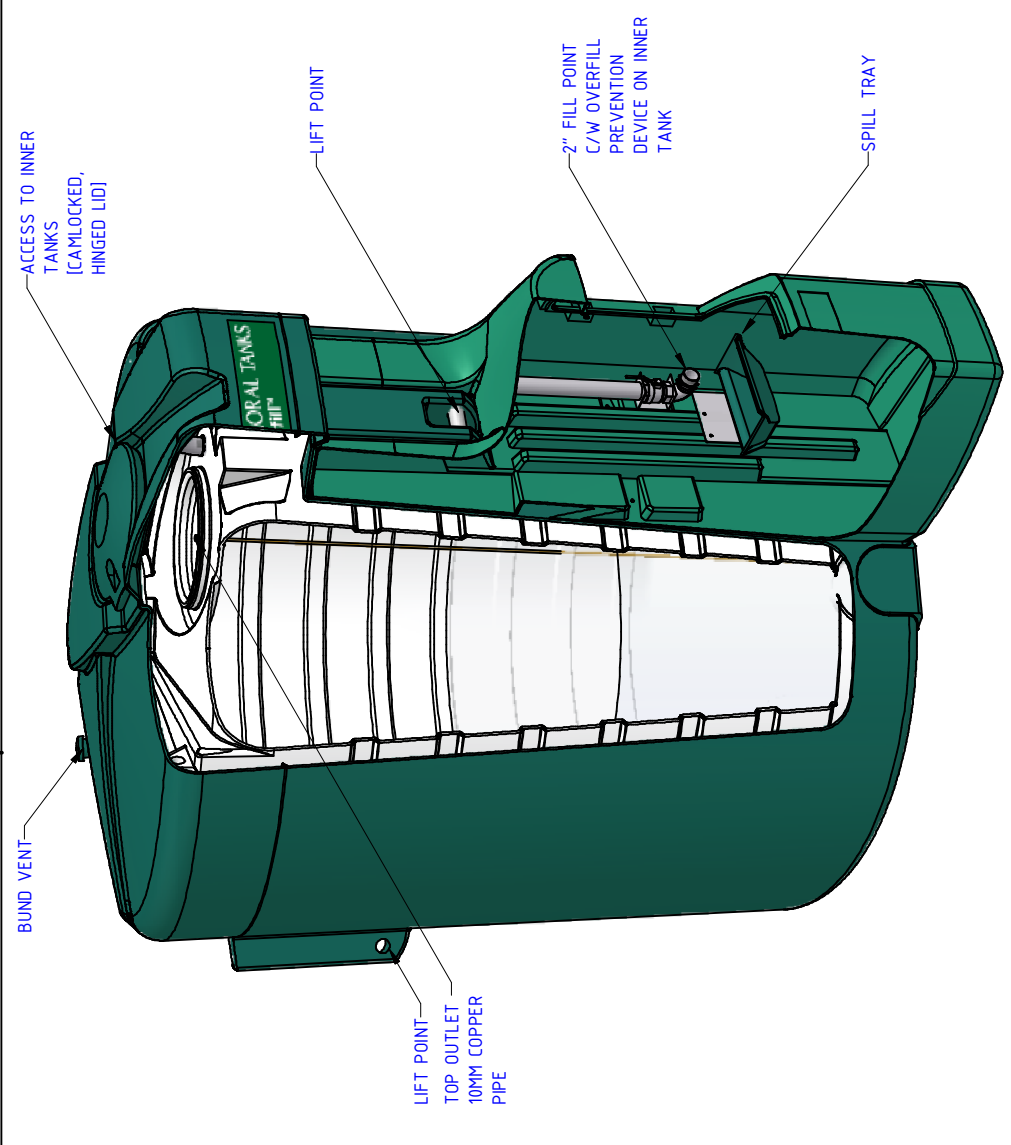
BALMORAL GROUP LTD

Balmoral Park, Loirston, Aberdeen AB12 3GY, Scotland
 Telephone +44 (0)1224 859000 Fax +44 (0)1224 859059
 E-mail group@balmoral.co.uk

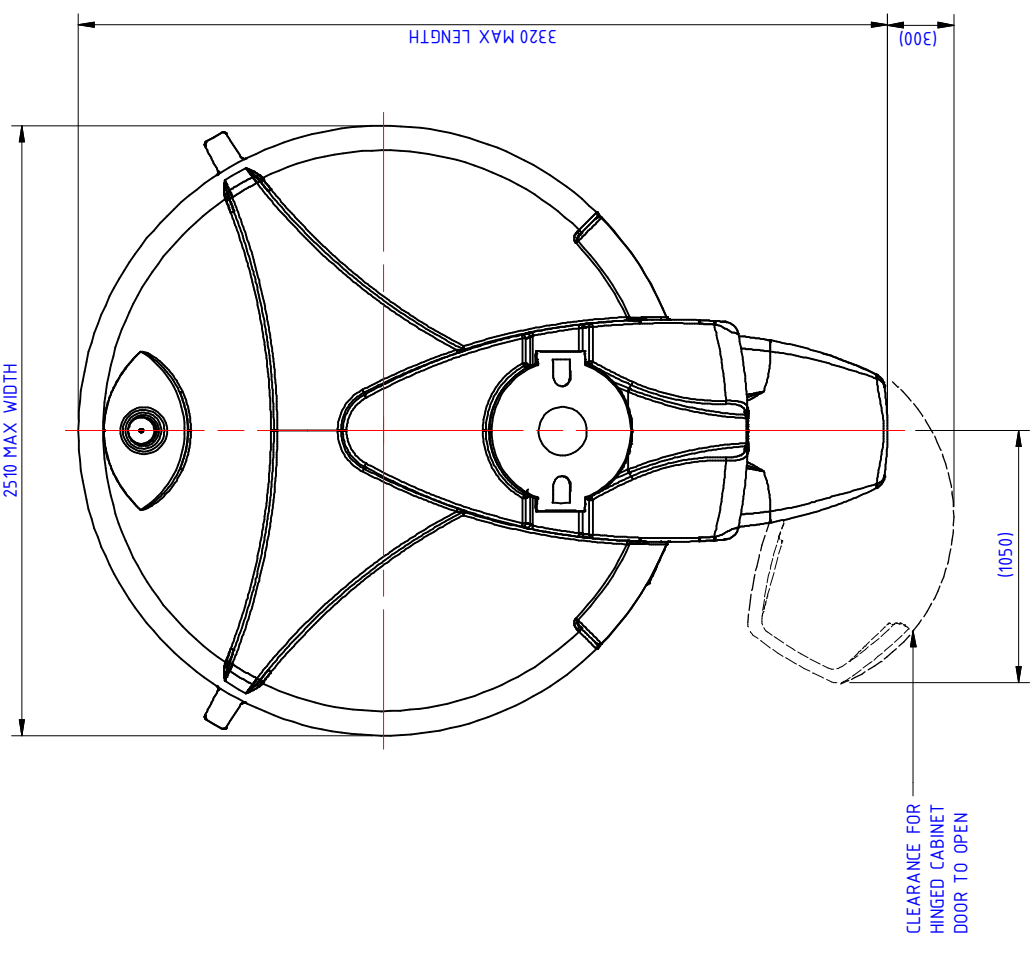


CLIENT	BALMORAL TANKS SALES	PROJECT No.	6003
--------	----------------------	-------------	------

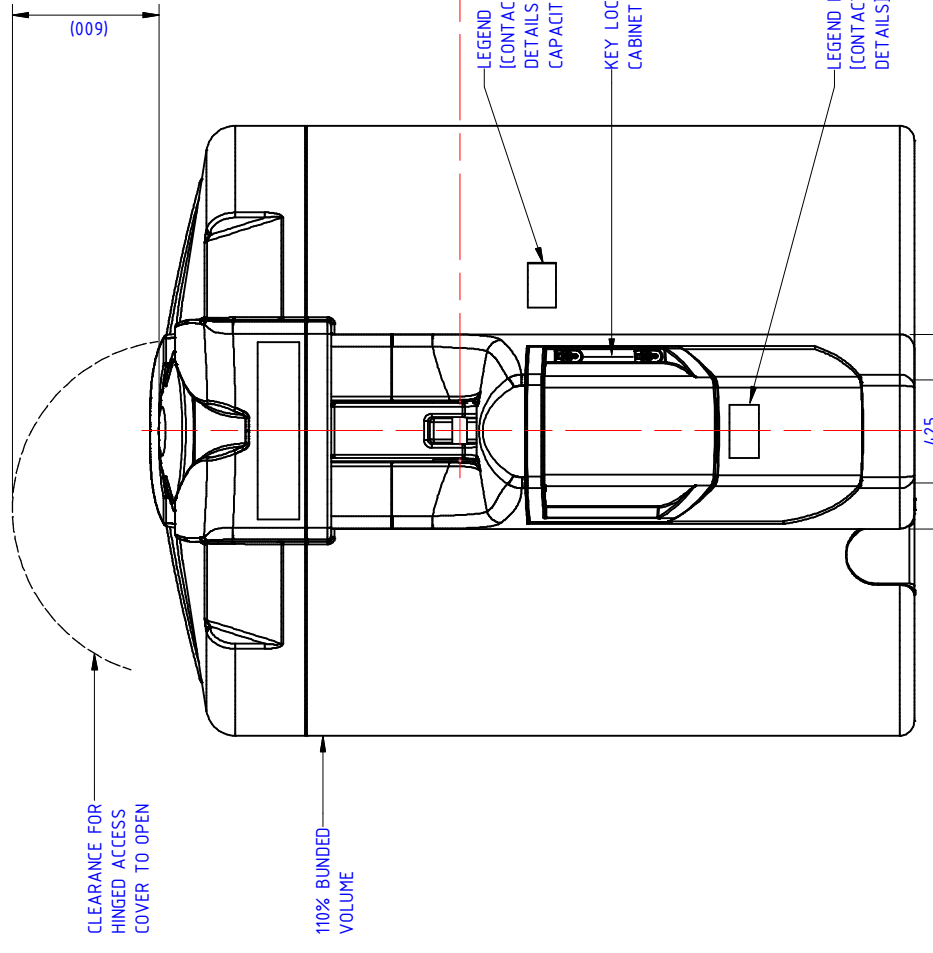
DRAWING TITLE	VB10000 - G.A. TOP OUTLET WITH CABINET		
DRAWN BY	SIRONSIDE	CHECKED BY	B.BAKEWELL
DATE	20th FEBRUARY 2007	APPROVED BY	B.BAKEWELL
SCALE	1:22	SHEET SIZE	A2
		DRAWING No.	6003-INVD-014
		JOB No.	



ANNOTATED PERSPECTIVE VIEW
 (FOR ILLUSTRATION ONLY)



PLAN



ELEVATION

SIDE ELEVATION