

THIS DRAWING IS COPYRIGHT AND IS ISSUED ON CONDITION THAT IT IS NOT COPIED, REPRODUCED OR DISCLOSED TO A THIRD PARTY WITHOUT CONSENT IN WRITING OF BALMORAL GROUP LTD., ABERDEEN

01 ISSUE	FIRST ISSUE	SI	BB	BB	20/02/07
	MODIFICATION	BY	CHK	APV	DATE

**BALMORAL GROUP LTD**  
 Balmoral Park, Loirston, Aberdeen AB12 3GY, Scotland  
 Telephone +44 (0)1224 859000 Fax +44 (0)1224 859059  
 E-mail group@balmoral.co.uk

**BALMORAL**  
 www.balmoral-group.com

CLIENT  
**BALMORAL TANKS SALES**  
 PROJECT No. 6003

DRAWING TITLE  
**VB10000 - G.A. BOTTOM OUTLET**  
**BND-VB10000-NG-BE**

DRAWN BY  
 SIRONSIDE

DRAWING No. 6003-INV0-013  
 JOB No.

CHECKED BY  
 B.BAKEWELL

APPROVED BY  
 B.BAKEWELL

DATE  
 20th FEBRUARY 2007

SHEET SIZE  
 A2

SCALE  
 1:22

DRAWING TITLE  
**VB10000 - G.A. BOTTOM OUTLET**  
**BND-VB10000-NG-BE**

DRAWN BY  
 SIRONSIDE

DRAWING No. 6003-INV0-013  
 JOB No.

CHECKED BY  
 B.BAKEWELL

APPROVED BY  
 B.BAKEWELL

DATE  
 20th FEBRUARY 2007

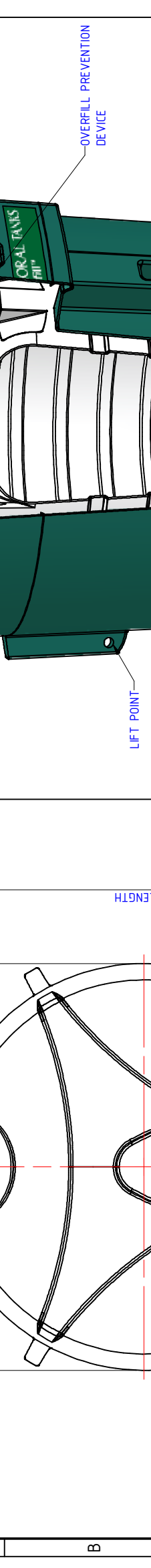
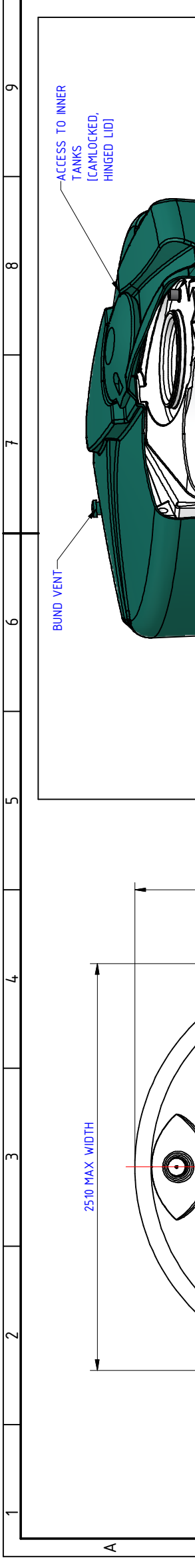
SHEET SIZE  
 A2

ALL DIMENSIONS IN MILLIMETRES UNLESS STATED OTHERWISE - DO NOT SCALE IF IN DOUBT - ASK

**VB10,000 BOTTOM OUTLET INCLUDES:**  
 2" OVERFILL PREVENTION DEVICE  
 1" BOTTOM OUTLET FITTING  
 REMOTE LEVEL GAUGE & BUND ALARM

**GENERAL NOTES:**  
 FOLLOW INSTALLATION INSTRUCTIONS PROVIDED WITH EACH TANK

**BALMORAL TANKS RESERVE THE RIGHT TO REVISE THEIR PRODUCT DESIGNS AT ANY TIME.**



PLAN

ANNOTATED PERSPECTIVE VIEW (FOR ILLUSTRATION ONLY)

SIDE ELEVATION

ELEVATION

THIS DRAWING IS COPYRIGHT AND IS ISSUED ON CONDITION THAT IT IS NOT COPIED, REPRODUCED OR DISCLOSED TO A THIRD PARTY WITHOUT CONSENT IN WRITING OF BALMORAL GROUP LTD., ABERDEEN

01	ISSUE	SI	BB	BB	20/02/07
		BY	CHK	APV	DATE

**BALMORAL GROUP LTD**  
 Balmoral Park, Loirston, Aberdeen AB12 3GY, Scotland  
 Telephone +44 (0)1224 859000 Fax +44 (0)1224 859059  
 E-mail group@balmoral.co.uk

**BALMORAL**  
 www.balmoral-group.com

CLIENT  
**BALMORAL TANKS SALES**  
 PROJECT No. 6003

DRAWING TITLE  
**VB10000 - G.A. TOP OUTLET  
 BND-VB10000-NG-TE**

DRAWN BY  
**SIRONSIDE**

DRAWING No.  
**6003-INV0-015**

CHECKED BY  
**B.BAKEWELL**

APPROVED BY  
**B.BAKEWELL**

DATE  
**20th FEBRUARY 2007**

SHEET SIZE  
**A2**

SCALE  
**1:22**

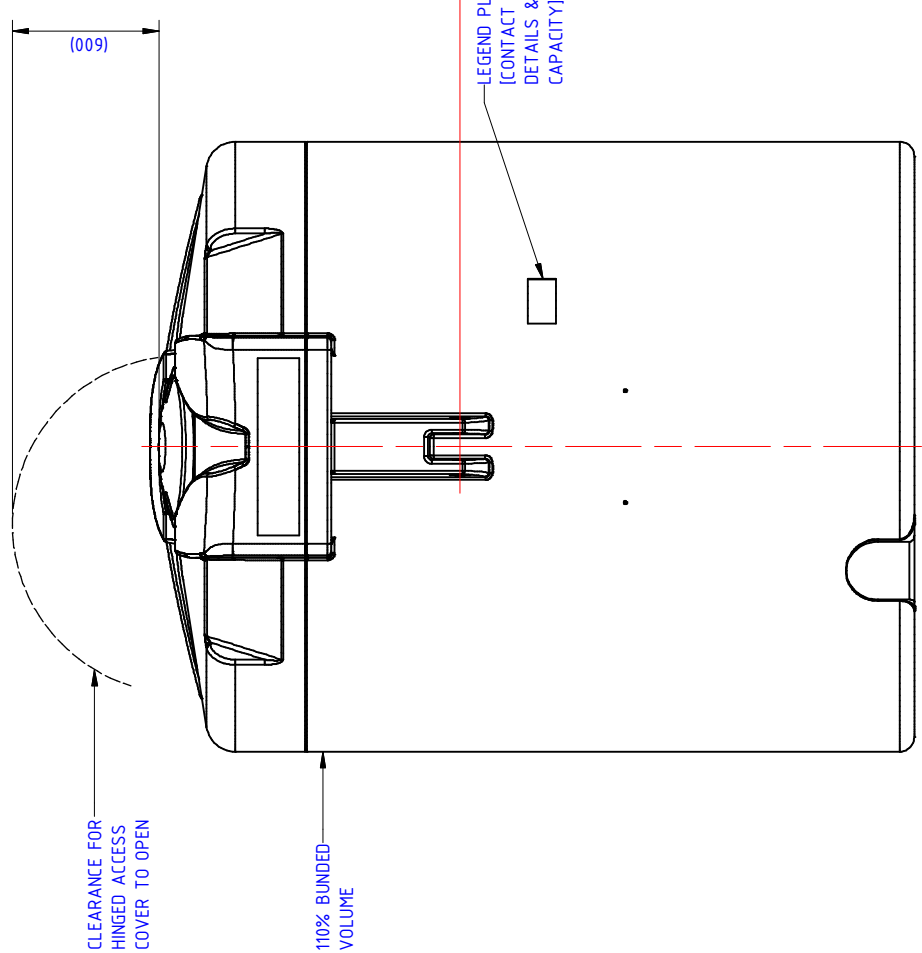
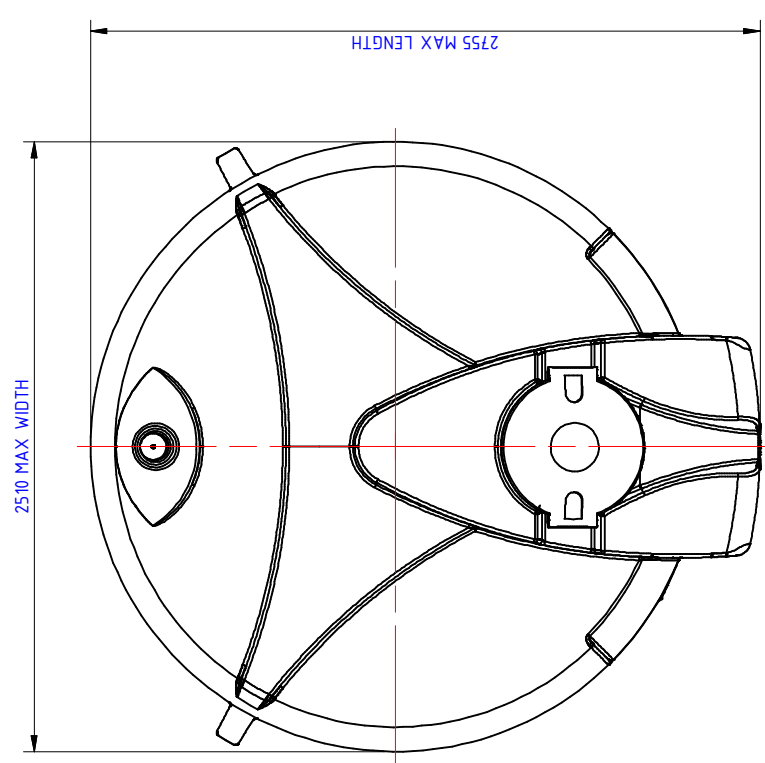
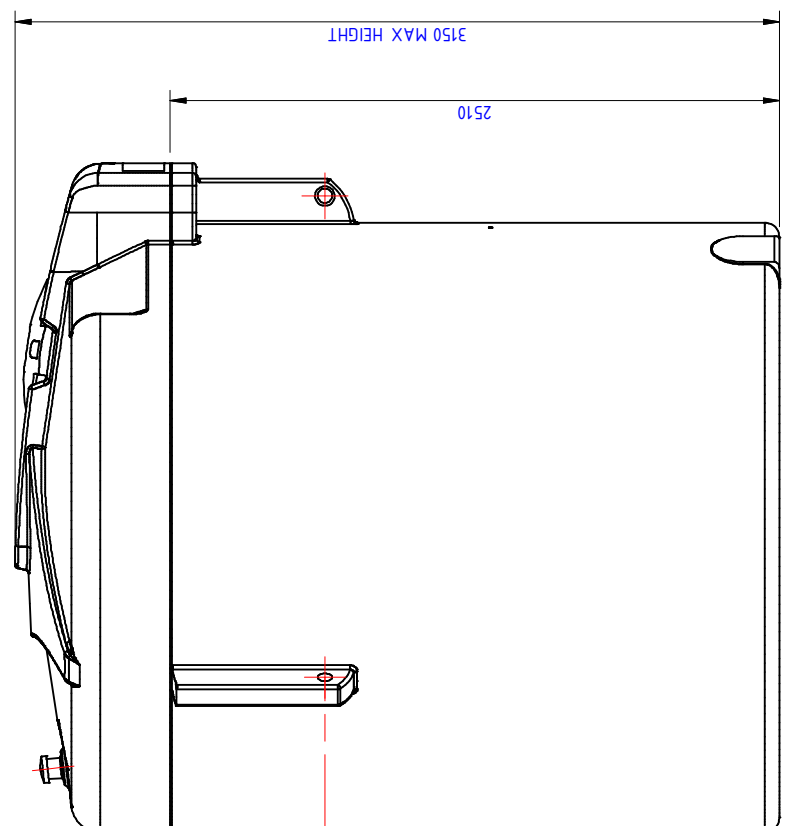
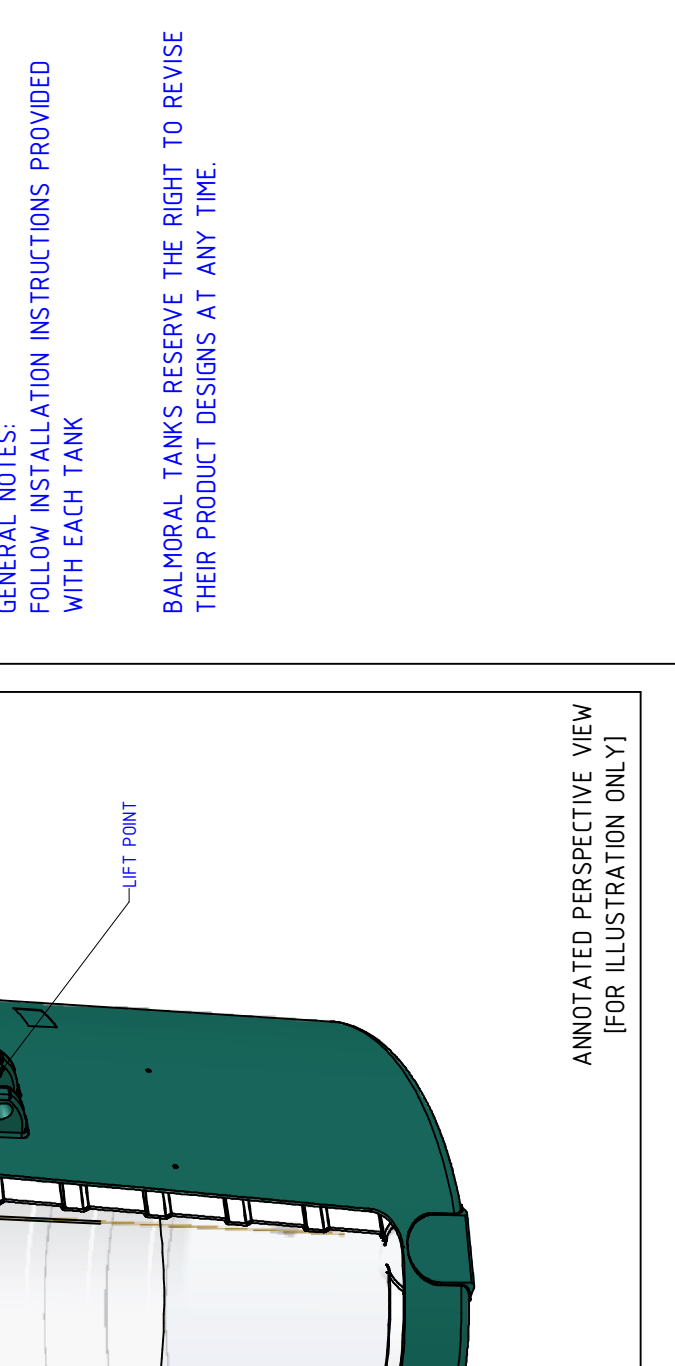
JOB No.  
**6003**

ALL DIMENSIONS IN MILLIMETRES UNLESS STATED OTHERWISE - DO NOT SCALE IF IN DOUBT - ASK

**VB10,000 TOP OUTLET INCLUDES:  
 2" OVERFILL PREVENTION DEVICE  
 REMOTE LEVEL GAUGE & BUND ALARM**

**GENERAL NOTES:  
 FOLLOW INSTALLATION INSTRUCTIONS PROVIDED WITH EACH TANK**

**BALMORAL TANKS RESERVE THE RIGHT TO REVISE THEIR PRODUCT DESIGNS AT ANY TIME.**



CLEARANCE FOR HINGED ACCESS COVER TO OPEN

110% BUNDED VOLUME