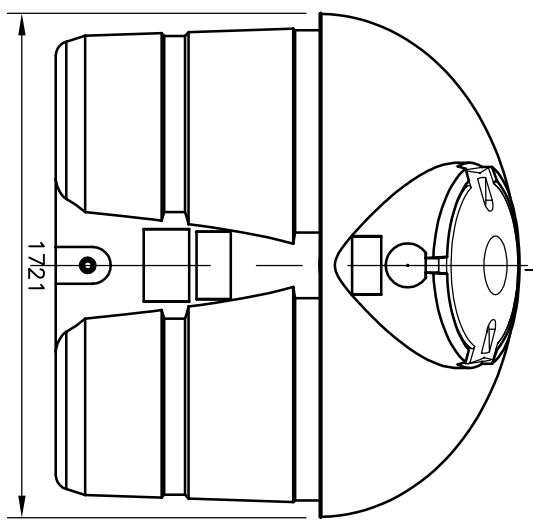
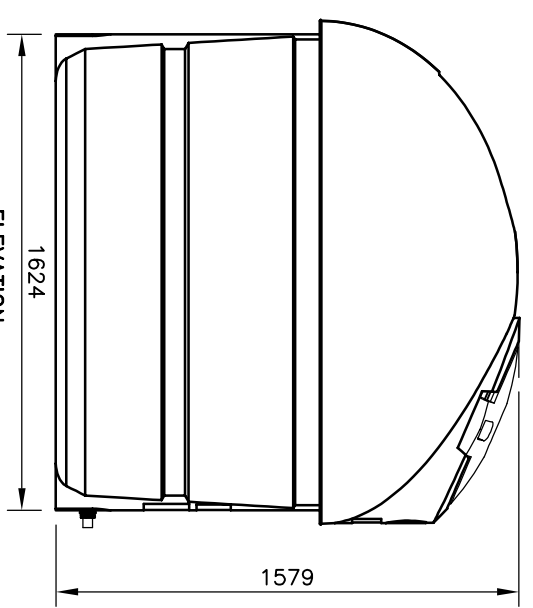


SECTION THROUGH CENTRE



ELEVATION



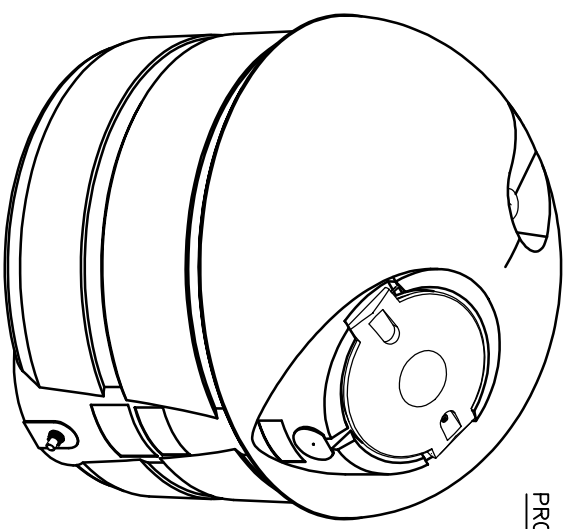
ELEVATION

STOCK NUMBER : 00-180-OIL

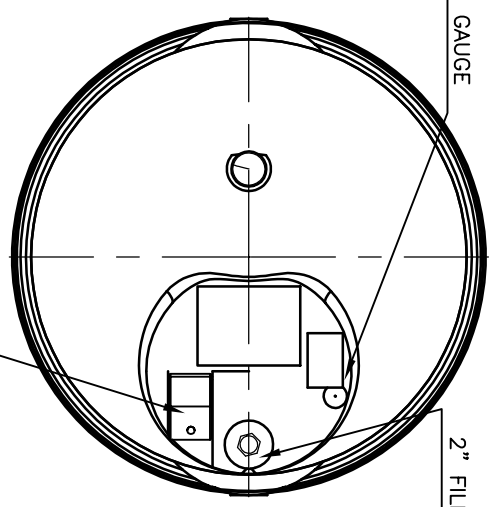
ALLOW FOR 600mm TO OPEN HINGE LID

ALL DIMENSIONS ARE IN MM AND ARE APPROXIMATE AND FOR INFORMATION ONLY

THIS DRAWING IS COPYRIGHT AND IS ISSUED ON CONDITION THAT IT IS NOT COPIED, REPRODUCED OR DISCLOSED TO A THIRD PARTY WITHOUT THE CONSENT IN WRITING OF BALMORAL GROUP LTD., ABERDEEN



ISOMETRIC

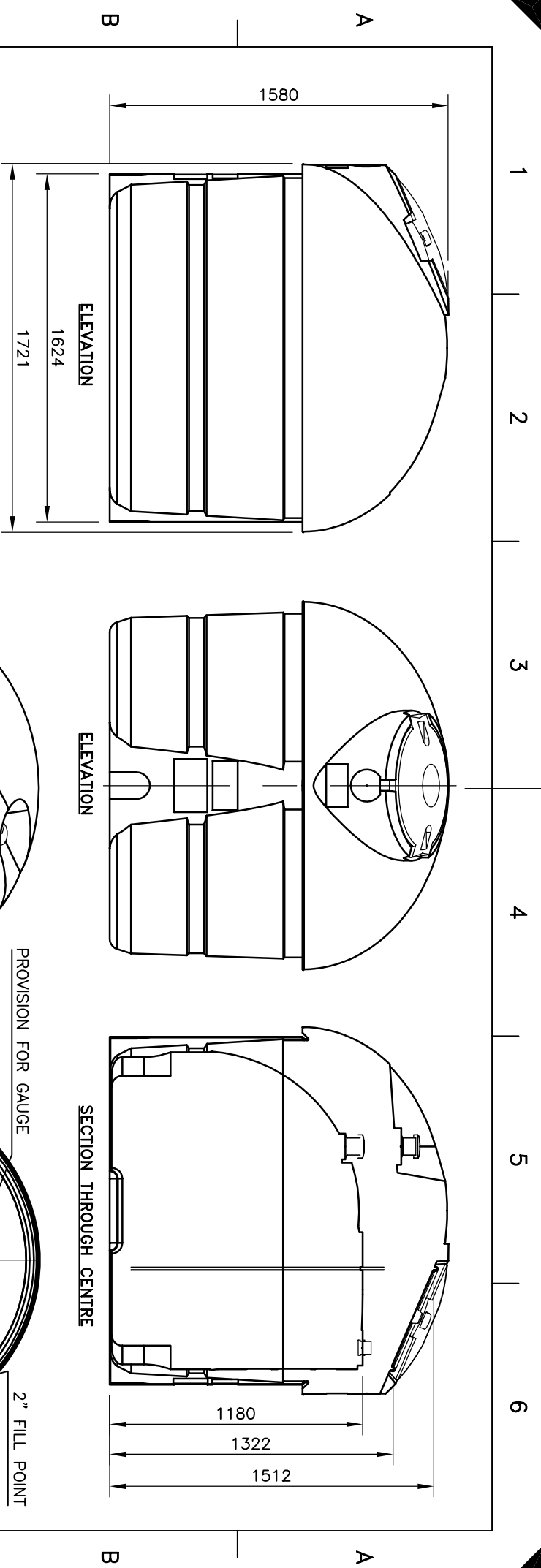


PLAN VIEW WITHOUT BUND COVER

BALMORAL GROUP LTD.

Balmoral Park, Lorrston, Aberdeen, AB12 3GY Scotland
 Telephone (01224) 859000 Fax (01224) 859059

01	FIRST ISSUE	EG	20/01/00	CLIENT : BALMORAL TANKS
ISSUE	MODIFICATION	BY	DATE	DESCRIPTION : VB1300 BOTTOM EMPTY
		CHK		PROJECT ID No. : 0028
				JOB No. : BM018 J31
				DRAWN : EG
				CHECK :
				DRAWING No. : VB1300BE



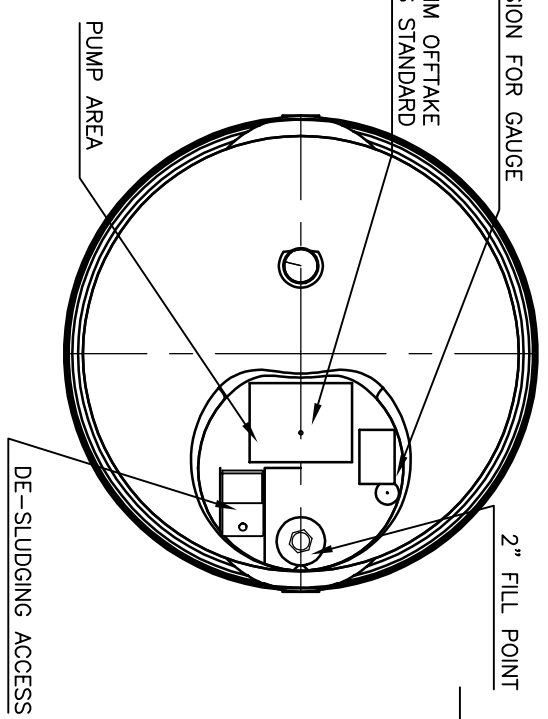
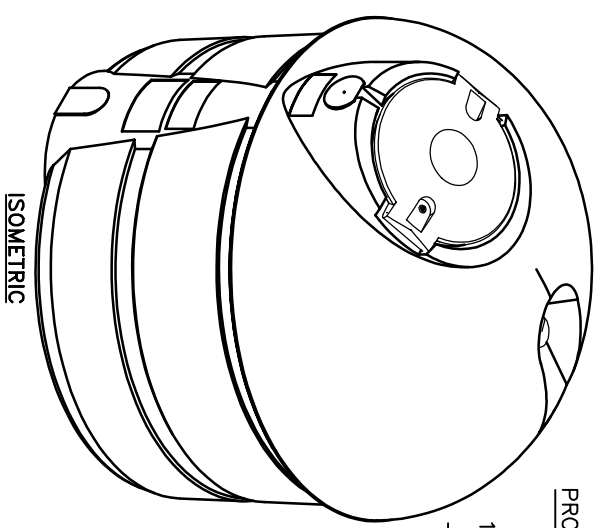
STOCK NO : 00-190-OIL


ORDER ACCESSORIES SEPERATLY

ALLOW 600MM TO OPEN HINGE LID

ALL DIMENSIONS ARE IN MM AND ARE APPROXIMATE AND FOR INFORMATION ONLY

THIS DRAWING IS COPYRIGHT AND IS ISSUED ON CONDITION THAT IT IS NOT COPIED REPRODUCED OR DISCLOSED TO A THIRD PARTY WITHOUT THE CONSENT IN WRITING OF BALMORAL GROUP LTD., ABERDEEN



 <p>BALMORAL GROUP LTD. Balnoral Park, Lorrston, Aberdeen, AB12 3GY Scotland Telephone (01224) 859000 Fax (01224) 859059</p>		<p>01</p> <p>FIRST ISSUE</p> <p>EG</p> <p>20/01/00</p>		<p>CLIENT : BALMORAL TANKS</p> <p>DESCRIPTION : VB1300 TOP EMPTY</p> <p>PROJECT ID No. : 0028</p> <p>JOB No. : BM018 J31</p>		<p>DRAWN : EG</p> <p>CHECK :</p>	
<p>ISSUE</p> <p>MODIFICATION</p> <p>BY</p> <p>CHK</p> <p>DATE</p>		<p>DATE</p>		<p>DRAWING No. : VB1300TE</p>			

1 2 3 4 5 6