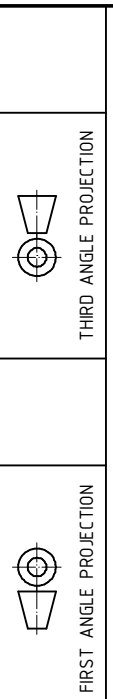


THIS DRAWING IS COPYRIGHT AND IS ISSUED ON CONDITION THAT IT IS NOT COPIED, REPRODUCED OR DISCLOSED TO A THIRD PARTY WITHOUT CONSENT IN WRITING OF BALMORAL GROUP LTD., ABERDEEN



ALL DIMENSIONS IN MILLIMETRES UNLESS STATED OTHERWISE - DO NOT SCALE IF IN DOUBT - ASK

ITEM	DESCRIPTION	MATERIAL	QTY.	REMARKS

### VB2500 BOTTOM OUTLET

#### PRODUCT FEATURES:

- 2" FILL POINT
- 2" OVERFILL PREVENTION DEVICE
- 1" MALE BSP-P BOTTOM OUTLET
- REMOTE LEVEL GAUGE & BUND ALARM

#### MATERIALS CONTAINMENT:

- AGRICULTURAL FUEL OIL [A2]
- DIESEL [D]
- 5% MIXTURE BIO-FUELS [BS EN 14214]
- KEROSENE [C1, C2] [BS 2869]
- MOLASSES
- NON-POTABLE WATER

#### TECHNICAL INFORMATION:

- PRODUCT WEIGHT [EMPTY OF FLUIDS] - 200KG
- LEVEL GAUGE SETTING - 3, 4, 5, 8.

#### GENERAL NOTES:

- ALL ELECTRICAL WORK MUST BE CARRIED OUT BY A QUALIFIED ELECTRICIAN
- FOLLOW INSTALLATION AND OPERATING INSTRUCTIONS

**ALL MEASUREMENTS ARE FOR REFERENCE ONLY  
BALMORAL TANKS RESERVE THE RIGHT TO REVISE  
THEIR PRODUCT DESIGNS AT ANY TIME.**

01	FIRST ISSUE	SI	BJB	BIB	18/12/07
ISSUE	MODIFICATION	BY	CHK	APV	DATE

### BALMORAL GROUP LTD

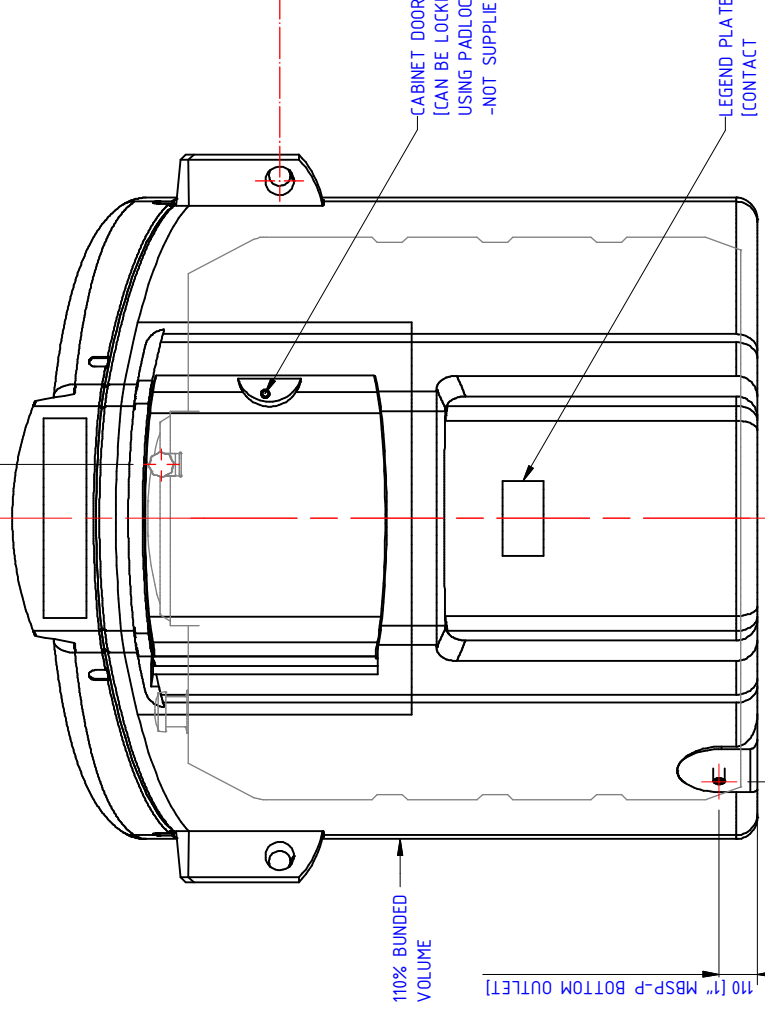
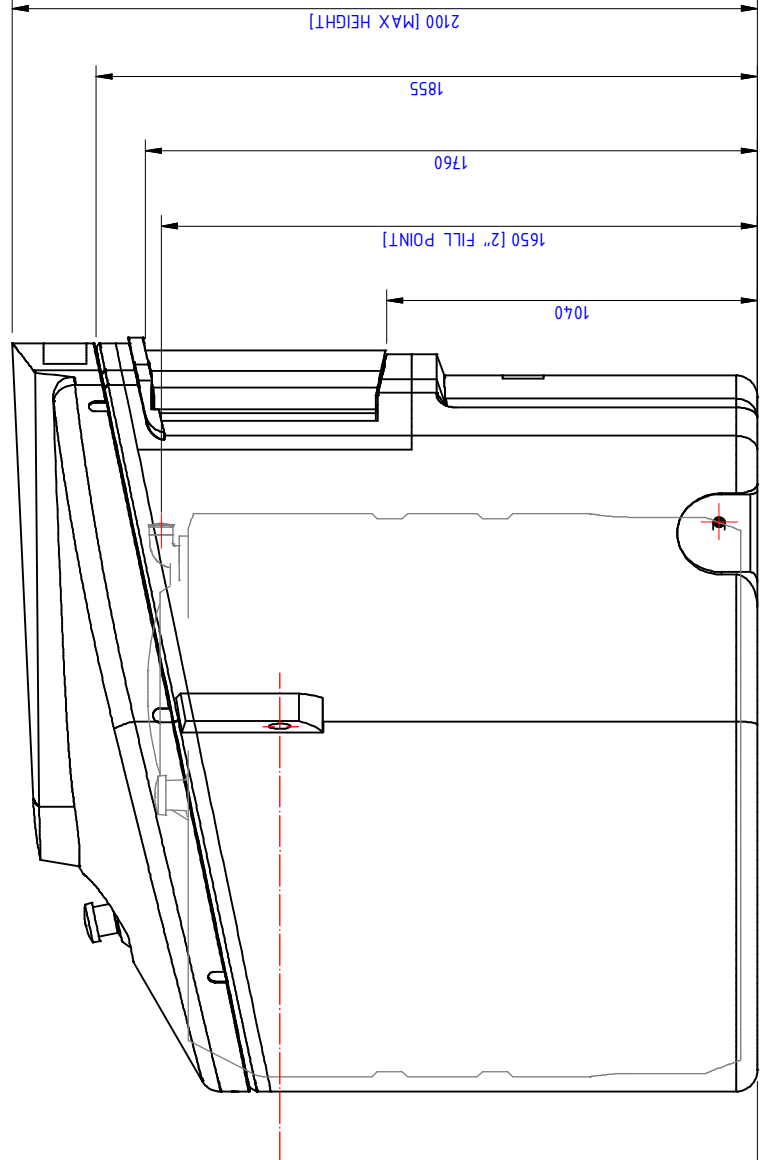
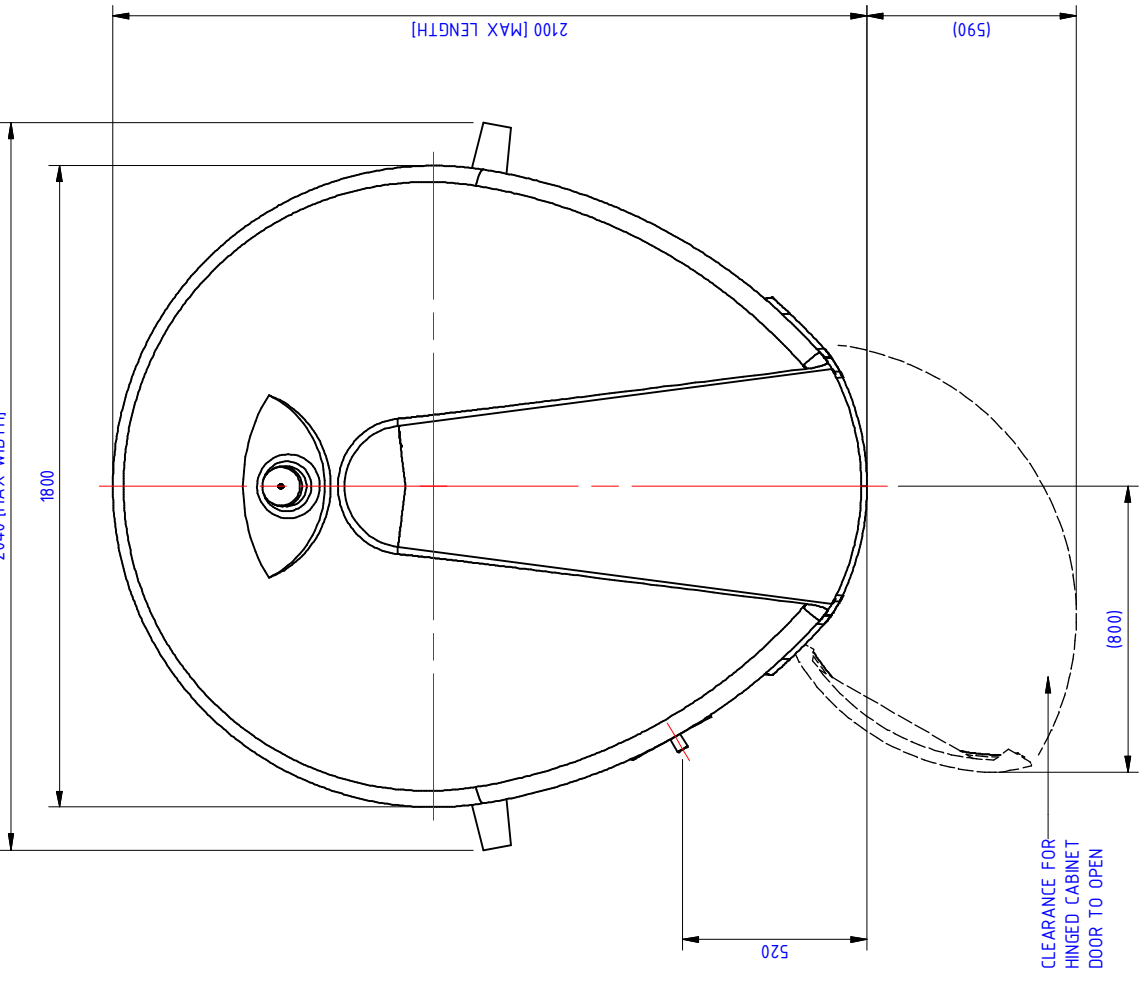
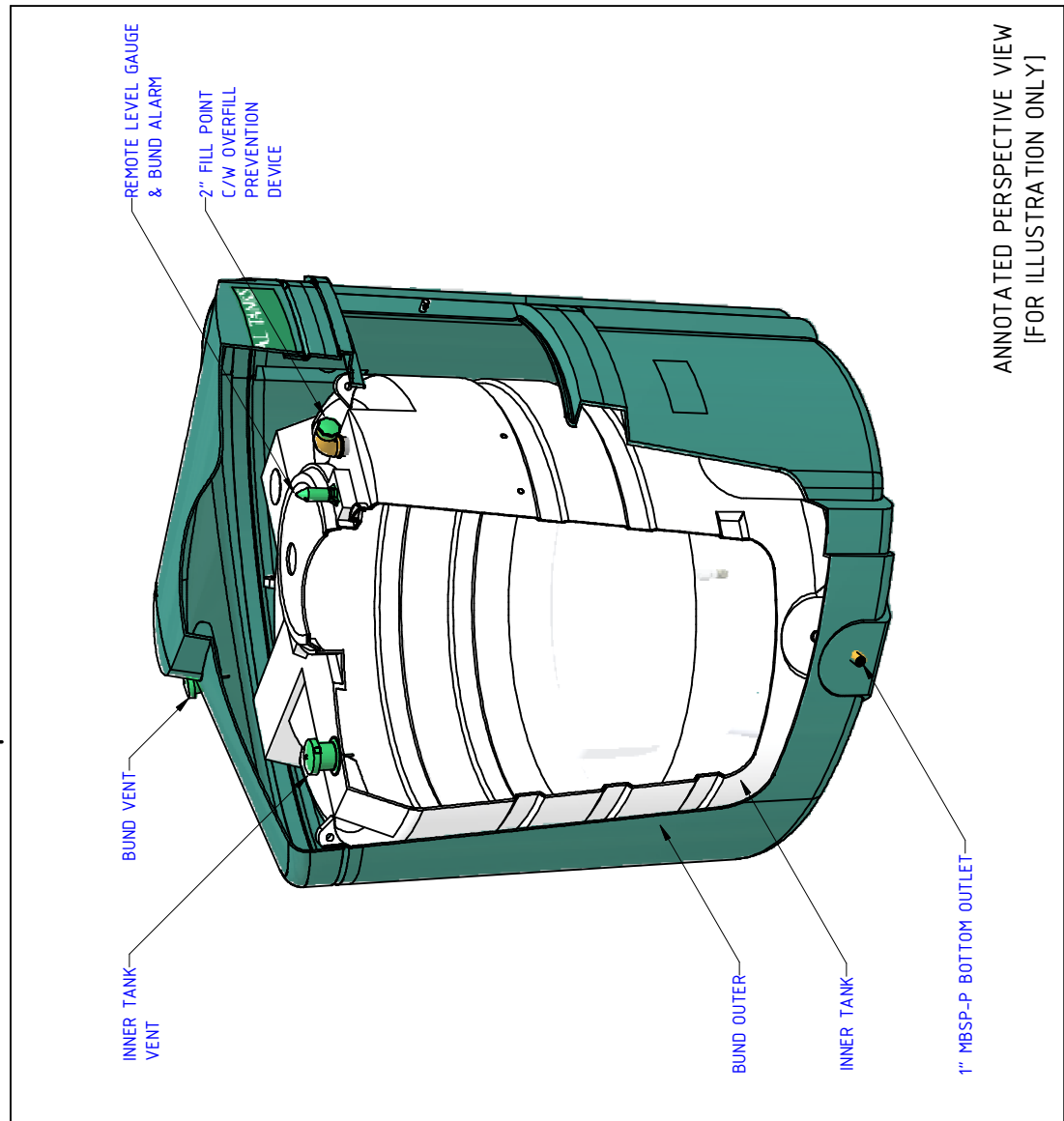
Balmoral Park, Loirston, Aberdeen AB12 3GY, Scotland  
Telephone +44 (0)1224 859000 Fax +44 (0)1224 890059  
E-mail group@balmoral.co.uk



CLIENT	BALMORAL TANKS SALES	PROJECT No.	6180
--------	----------------------	-------------	------

DRAWING TITLE	VB2500 - G.A. BOTTOM OUTLET BBND-VB2500-NG-BE
---------------	--

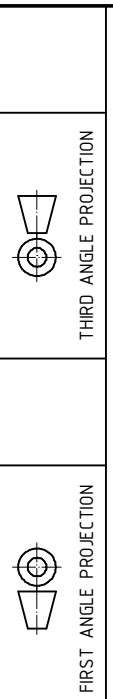
DRAWN BY	SIRONSIDE	CHECKED BY	B.BAKEWELL	APPROVED BY	B.BAKEWELL	DRAWING No.	INVD-005
SCALE	1:15	DATE	18th DEC 2007	SHEET SIZE	A2	JOB No.	



SIDE ELEVATION

ELEVATION

THIS DRAWING IS COPYRIGHT AND IS ISSUED ON CONDITION THAT IT IS NOT COPIED, REPRODUCED OR DISCLOSED TO A THIRD PARTY WITHOUT CONSENT IN WRITING OF BALMORAL GROUP LTD., ABERDEEN



ALL DIMENSIONS IN MILLIMETRES UNLESS STATED OTHERWISE - DO NOT SCALE IF IN DOUBT - ASK

ITEM	DESCRIPTION	MATERIAL	QTY.	REMARKS

### VB2500 TOP OUTLET

#### PRODUCT FEATURES:

- 2" FILL POINT
- 2" OVERFILL PREVENTION DEVICE
- 10MM COMPRESSION FITTING TOP OUTLET
- REMOTE LEVEL GAUGE & BUND ALARM

#### MATERIALS CONTAINMENT:

- AGRICULTURAL FUEL OIL [A2]
- DIESEL [D]
- 5% MIXTURE BIO-FUELS [BS EN 14214]
- KEROSENE [C1, C2] [BS 2869]
- MOLASSES
- NON-POTABLE WATER

#### TECHNICAL INFORMATION:

- PRODUCT WEIGHT [EMPTY OF FLUIDS] - 200KG
- LEVEL GAUGE SETTING - 3, 4, 5, 8.

#### GENERAL NOTES:

- ALL ELECTRICAL WORK MUST BE CARRIED OUT BY A QUALIFIED ELECTRICIAN
- FOLLOW INSTALLATION AND OPERATING INSTRUCTIONS

**ALL MEASUREMENTS ARE FOR REFERENCE ONLY  
BALMORAL TANKS RESERVE THE RIGHT TO REVISE  
THEIR PRODUCT DESIGNS AT ANY TIME.**

01	FIRST ISSUE	SI	B/JB	B/B	18/12/07
ISSUE	MODIFICATION	BY	CHK	APV	DATE

### BALMORAL GROUP LTD

Balmoral Park, Loirston, Aberdeen AB12 3GY, Scotland  
Telephone +44 (0)1224 859000 Fax +44 (0)1224 859059  
E-mail [group@balmoral.co.uk](mailto:group@balmoral.co.uk)



CLIENT	BALMORAL TANKS SALES	PROJECT No.	6180
--------	----------------------	-------------	------

DRAWING TITLE	VB2500 - G.A. TOP OUTLET BBND-VB2500-NG-TE
---------------	---

DRAWN BY	SIRONSIDE	CHECKED BY	B.BAKEWELL	APPROVED BY	B.BAKEWELL	DRAWING No.	INVD-006
SCALE	1:15	DATE	18th DEC 2007	SHEET SIZE	A2	JOB No.	

