

THIS DRAWING IS COPYRIGHT AND IS ISSUED ON CONDITION THAT IT IS NOT COPIED, REPRODUCED OR DISCLOSED TO A THIRD PARTY WITHOUT CONSENT IN WRITING OF BALMORAL GROUP LTD., ABERDEEN

01	ISSUE	SI	BB	BB	16/02/07
		BY	CHK	APV	DATE

**BALMORAL GROUP LTD**  
 Balmoral Park, Loirston, Aberdeen AB12 3GY, Scotland  
 Telephone +44 (0)1224 859000 Fax +44 (0)1224 859059  
 E-mail group@balmoral.co.uk

**BALMORAL**  
 www.balmoral-group.com

CLIENT  
**BALMORAL TANKS SALES**  
 PROJECT No. 6003

DRAWING TITLE  
**VB5000 - G.A. BOTTOM OUTLET WITH CABINET**  
 BND-VB5000-NG-BE-WC

DRAWN BY  
 SIRONSIDE  
 CHECKED BY  
 B.BAKEWELL  
 DATE  
 16th FEBRUARY 2007  
 SCALE  
 1:20

APPROVED BY  
 B.BAKEWELL  
 DRAWING No.  
 6003-INV-D-002  
 SHEET SIZE  
 A2  
 JOB No.

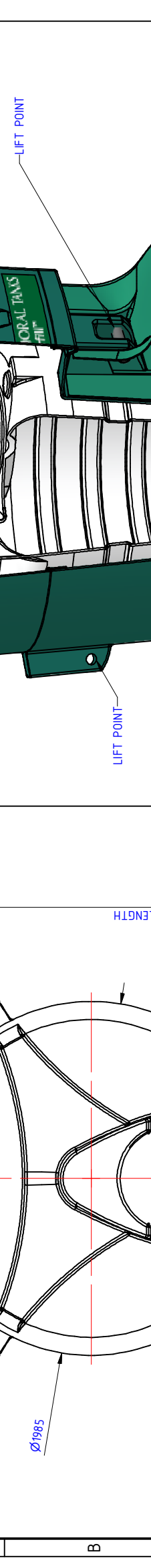
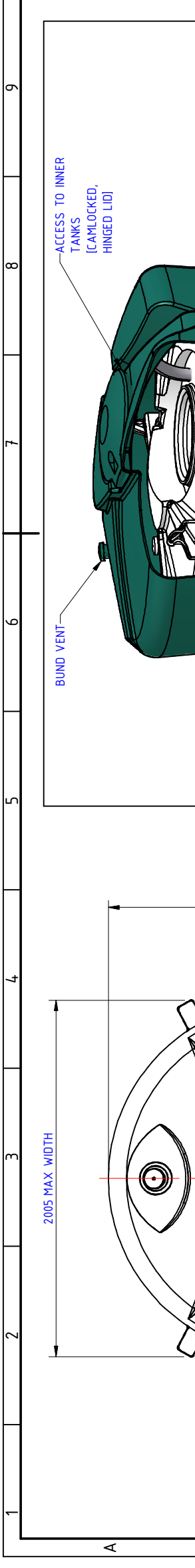
FIRST ANGLE PROJECTION  
 THIRD ANGLE PROJECTION

ALL DIMENSIONS IN MILLIMETRES UNLESS STATED OTHERWISE - DO NOT SCALE IF IN DOUBT - ASK

**VB5000 BOTTOM OUTLET W/ CABINET INCLUDES:**  
 2" REMOTE FILL POINT W/ NON RETURN VALVE  
 2" OVERFILL PREVENTION DEVICE  
 1" BOTTOM OUTLET FITTING  
 REMOTE LEVEL GAUGE & BUND ALARM

**GENERAL NOTES:**  
 FOLLOW INSTALLATION INSTRUCTIONS PROVIDED WITH EACH TANK

**BALMORAL TANKS RESERVE THE RIGHT TO REVISE THEIR PRODUCT DESIGNS AT ANY TIME.**



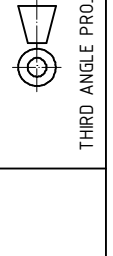
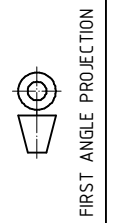
ANNOTATED PERSPECTIVE VIEW  
 (FOR ILLUSTRATION ONLY)

PLAN

ELEVATION

SIDE ELEVATION

THIS DRAWING IS COPYRIGHT AND IS ISSUED ON CONDITION THAT IT IS NOT COPIED, REPRODUCED OR DISCLOSED TO A THIRD PARTY WITHOUT CONSENT IN WRITING OF BALMORAL GROUP LTD., ABERDEEN



ALL DIMENSIONS IN MILLIMETRES UNLESS STATED OTHERWISE - DO NOT SCALE IF IN DOUBT - ASK

**VB5000 TOP OUTLET W/ CABINET INCLUDES:**  
 2" REMOTE FILL POINT W/ NON RETURN VALVE  
 2" OVERFILL PREVENTION DEVICE  
 REMOTE LEVEL GAUGE & BUND ALARM

**GENERAL NOTES:**  
 FOLLOW INSTALLATION INSTRUCTIONS PROVIDED WITH EACH TANK

BALMORAL TANKS RESERVE THE RIGHT TO REVISE THEIR PRODUCT DESIGNS AT ANY TIME.

01	SI	BB	BB	16/02/07
ISSUE				DATE
				BY
				CHK
				APV
				DATE

**BALMORAL GROUP LTD**

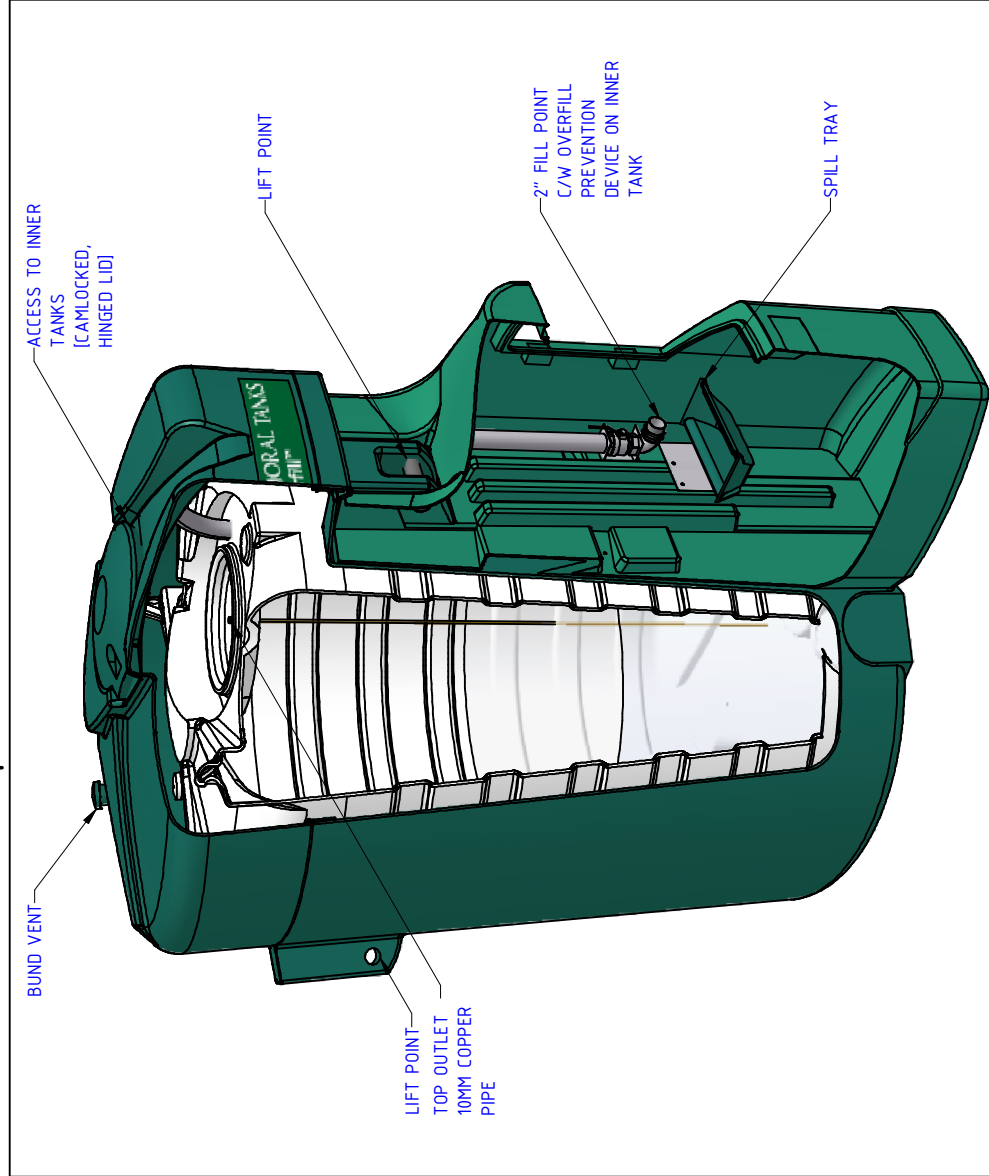
Balmoral Park, Loirston, Aberdeen AB12 3GY, Scotland  
 Telephone +44 (0)1224 859000 Fax +44 (0)1224 859059  
 E-mail group@balmoral.co.uk



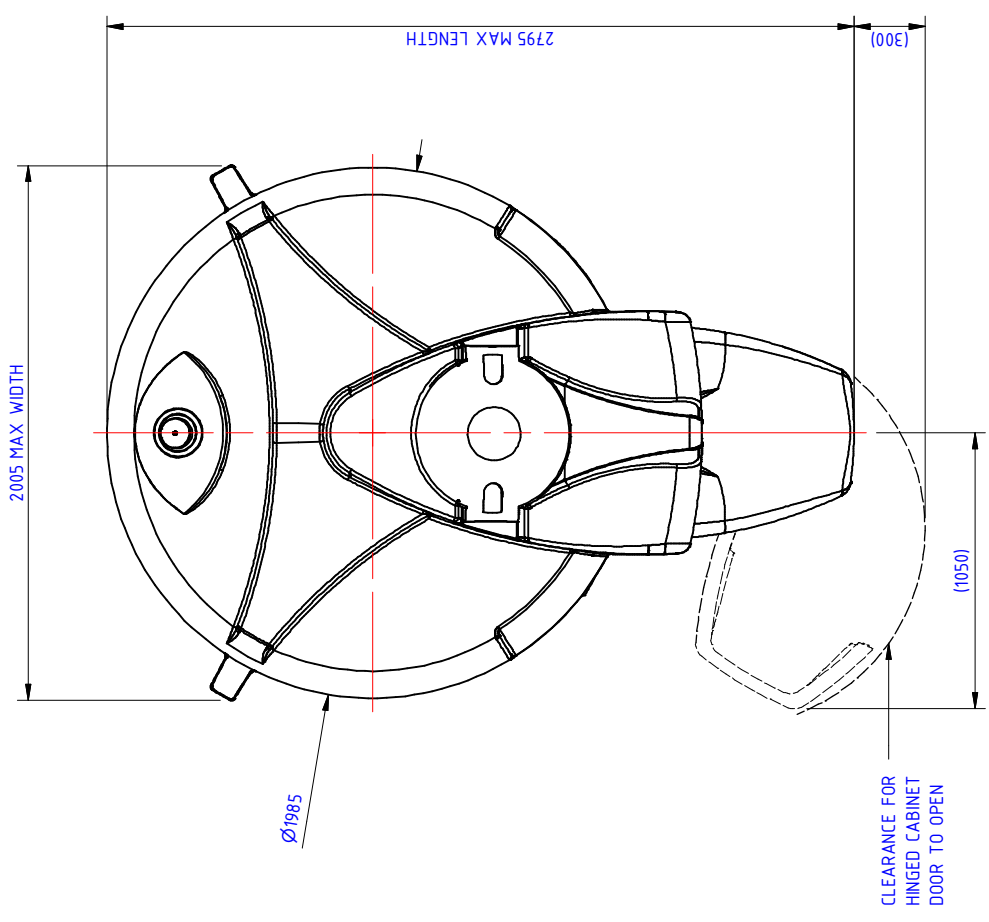
CLIENT	PROJECT No.
BALMORAL TANKS SALES	6003

DRAWING TITLE
VB5000 - G.A. TOP OUTLET WITH CABINET BND-VB5000-NG-TE-WC

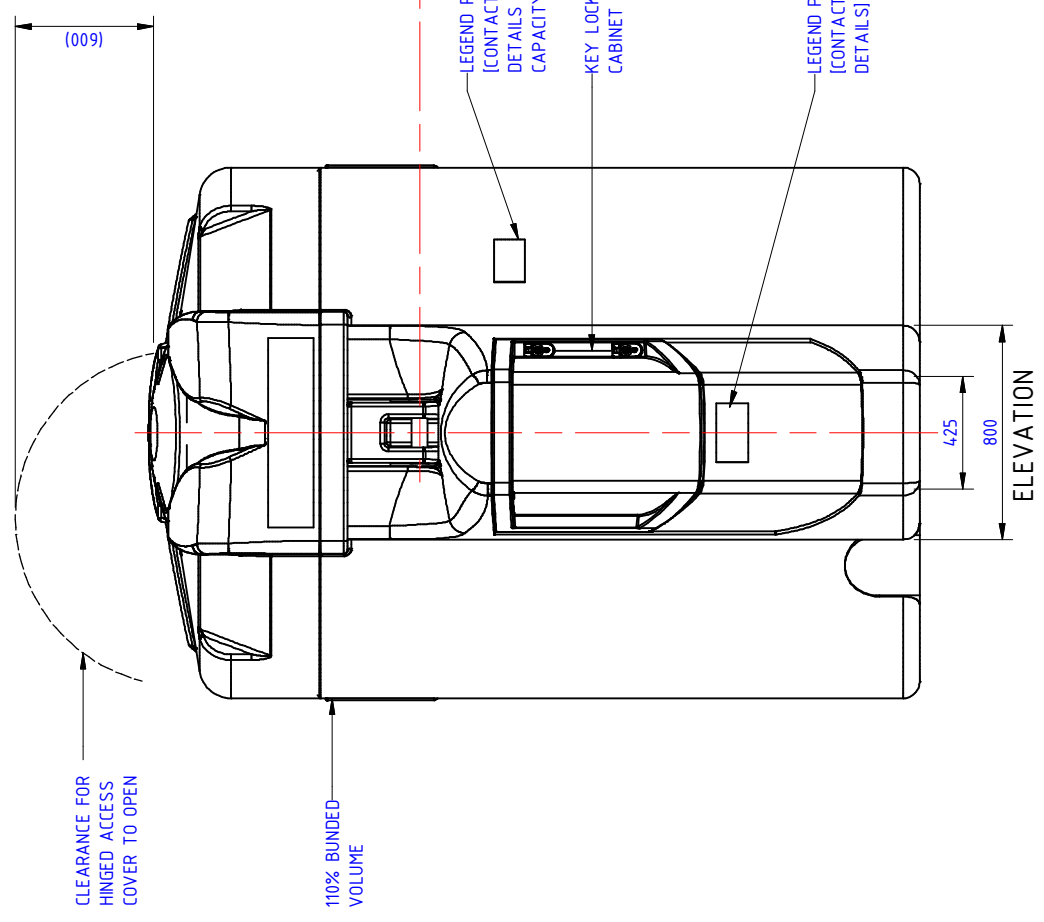
DRAWN BY	CHECKED BY	APPROVED BY	DRAWING No.
SIRONSIDE	B.BAKEWELL	B.BAKEWELL	6003-INVD-004
SCALE	DATE	SHEET SIZE	JOB No.
1:20	16th FEBRUARY 2007	A2	



ANNOTATED PERSPECTIVE VIEW  
 (FOR ILLUSTRATION ONLY)



PLAN



ELEVATION

SIDE ELEVATION