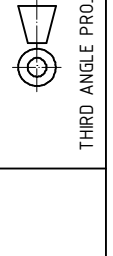
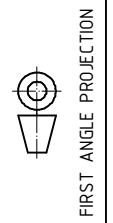


THIS DRAWING IS COPYRIGHT AND IS ISSUED ON CONDITION THAT IT IS NOT COPIED, REPRODUCED OR DISCLOSED TO A THIRD PARTY WITHOUT CONSENT IN WRITING OF BALMORAL GROUP LTD., ABERDEEN



ALL DIMENSIONS IN MILLIMETRES UNLESS STATED OTHERWISE - DO NOT SCALE IF IN DOUBT - ASK

**VB7500 BOTTOM OUTLET W/ CABINET INCLUDES:**  
 2" REMOTE FILL POINT W/ NON RETURN VALVE  
 2" OVERFILL PREVENTION DEVICE  
 1" BOTTOM OUTLET FITTING  
 REMOTE LEVEL GAUGE & BUND ALARM

**GENERAL NOTES:**  
 FOLLOW INSTALLATION INSTRUCTIONS PROVIDED WITH EACH TANK

BALMORAL TANKS RESERVE THE RIGHT TO REVISE THEIR PRODUCT DESIGNS AT ANY TIME.

| 01    | SI | BB | BB | 26/02/07 |
|-------|----|----|----|----------|
| ISSUE |    |    |    | DATE     |
|       |    |    |    | BY       |
|       |    |    |    | CHK      |
|       |    |    |    | APV      |
|       |    |    |    | DATE     |

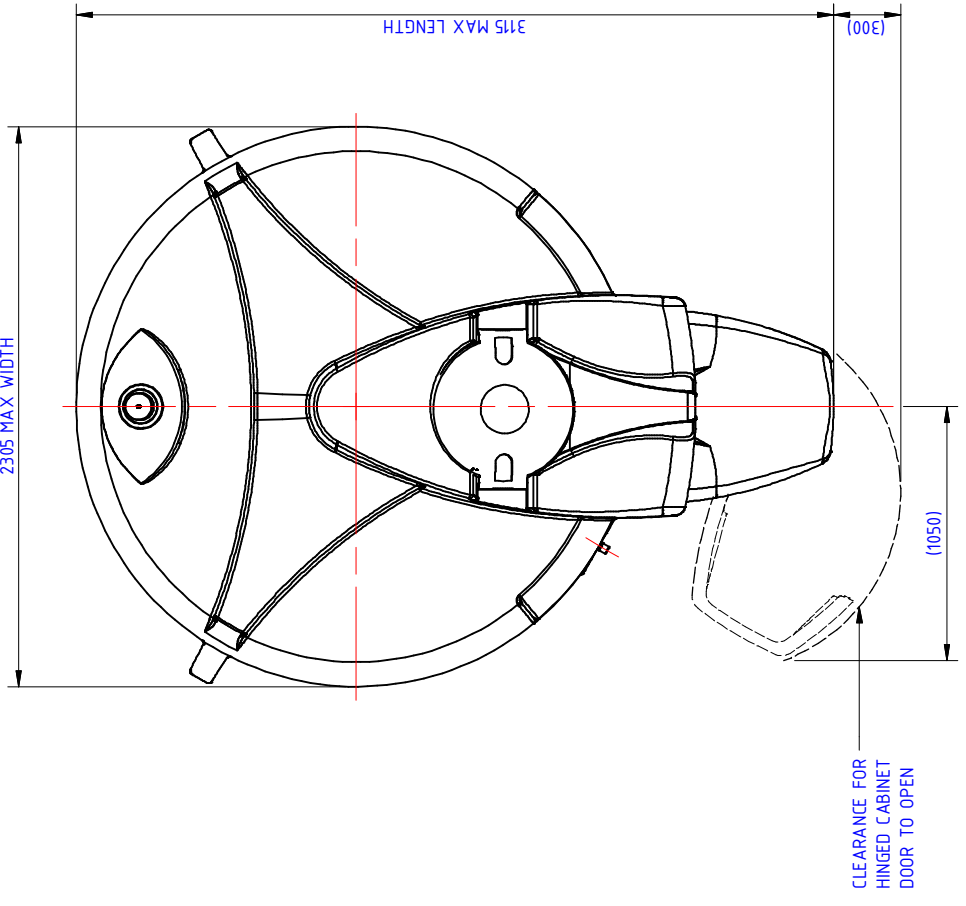
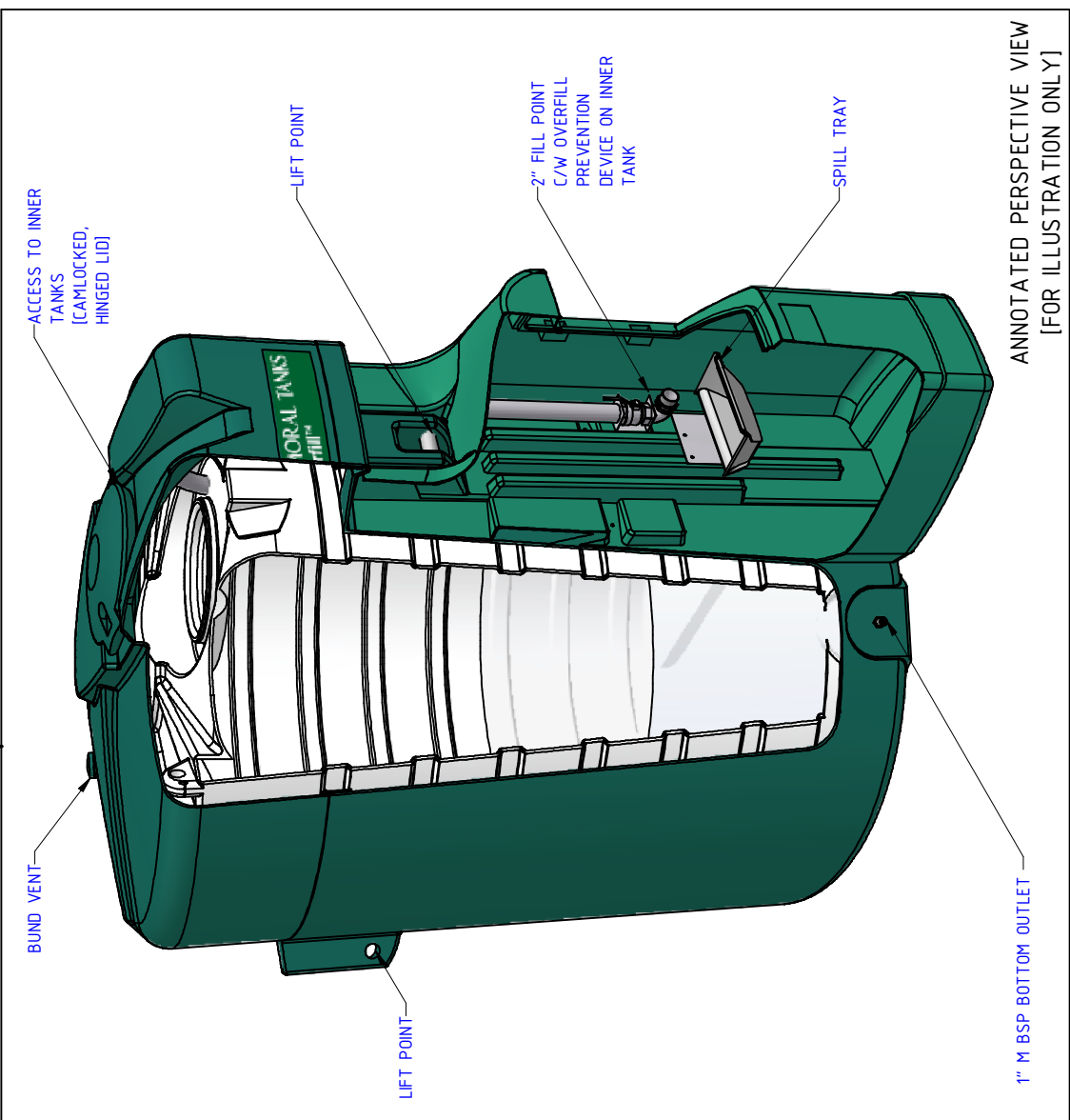
**BALMORAL GROUP LTD**

Balmoral Park, Loirston, Aberdeen AB12 3GY, Scotland  
 Telephone +44 (0)1224 859000 Fax +44 (0)1224 899059  
 E-mail [group@balmoral.co.uk](mailto:group@balmoral.co.uk)

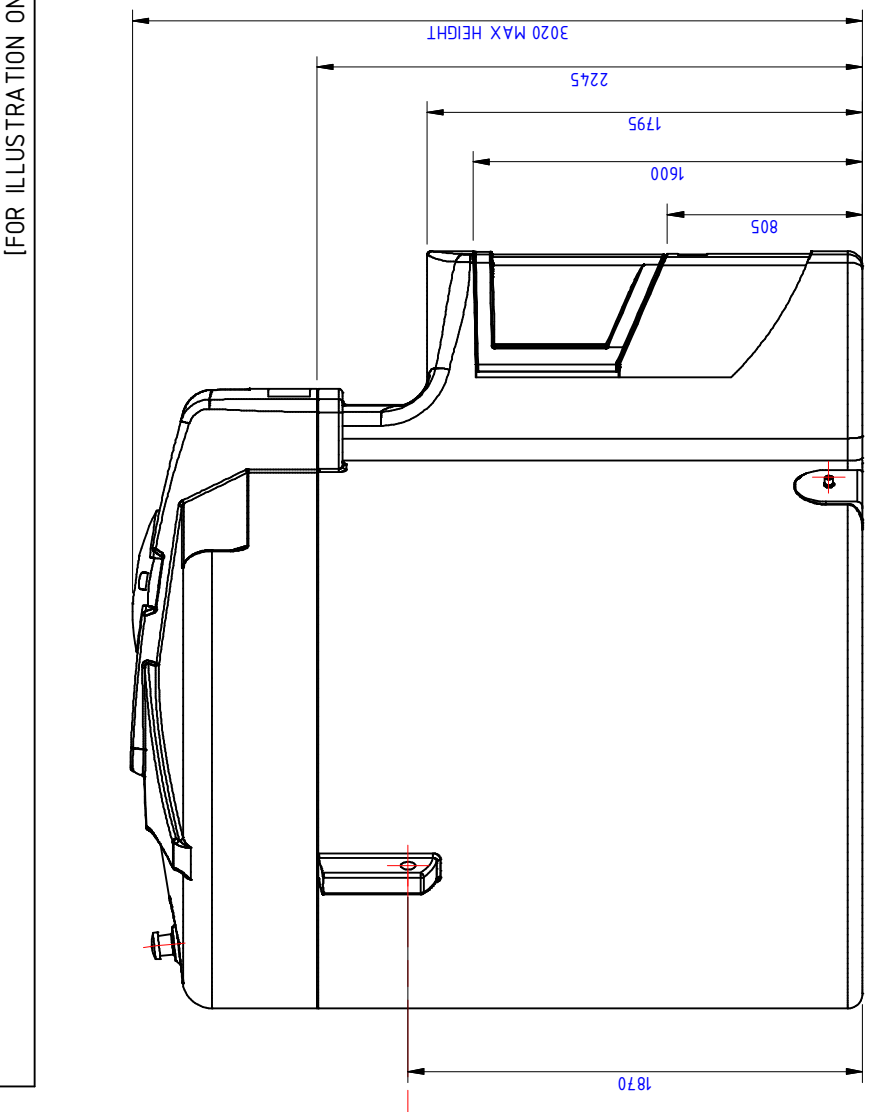


|        |                      |             |      |
|--------|----------------------|-------------|------|
| CLIENT | BALMORAL TANKS SALES | PROJECT No. | 6003 |
|--------|----------------------|-------------|------|

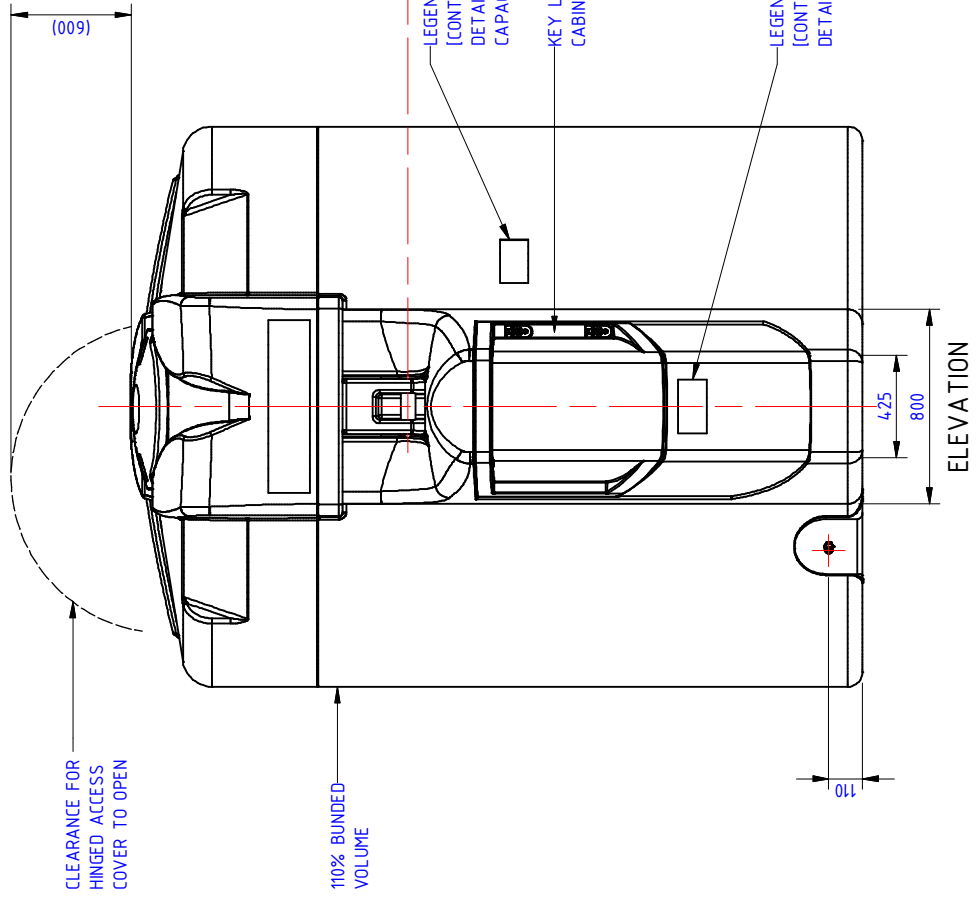
|               |  |             |                |
|---------------|--|-------------|----------------|
| DRAWING TITLE | VB7500 - G.A. BOTTOM OUTLET WITH CABINET |             |                |
| DRAWN BY      | SIRONSIDE                                | CHECKED BY  | B.BAKEWELL     |
| DATE          | 1.22                                     | APPROVED BY | B.BAKEWELL     |
| SHEET SIZE    | A2                                       | DRAWING No. | 6003-INV-D-007 |
| JOB No.       |  |             |                |



PLAN



SIDE ELEVATION



ELEVATION

THIS DRAWING IS COPYRIGHT AND IS ISSUED ON CONDITION THAT IT IS NOT COPIED, REPRODUCED OR DISCLOSED TO A THIRD PARTY WITHOUT CONSENT IN WRITING OF BALMORAL GROUP LTD., ABERDEEN



ALL DIMENSIONS IN MILLIMETRES UNLESS STATED OTHERWISE - DO NOT SCALE IF IN DOUBT - ASK

**VB7500 TOP OUTLET W/ CABINET INCLUDES:**  
 2" REMOTE FILL POINT W/ NON RETURN VALVE  
 2" OVERFILL PREVENTION DEVICE  
 REMOTE LEVEL GAUGE & BUND ALARM

**GENERAL NOTES:**  
 FOLLOW INSTALLATION INSTRUCTIONS PROVIDED WITH EACH TANK

BALMORAL TANKS RESERVE THE RIGHT TO REVISE THEIR PRODUCT DESIGNS AT ANY TIME.

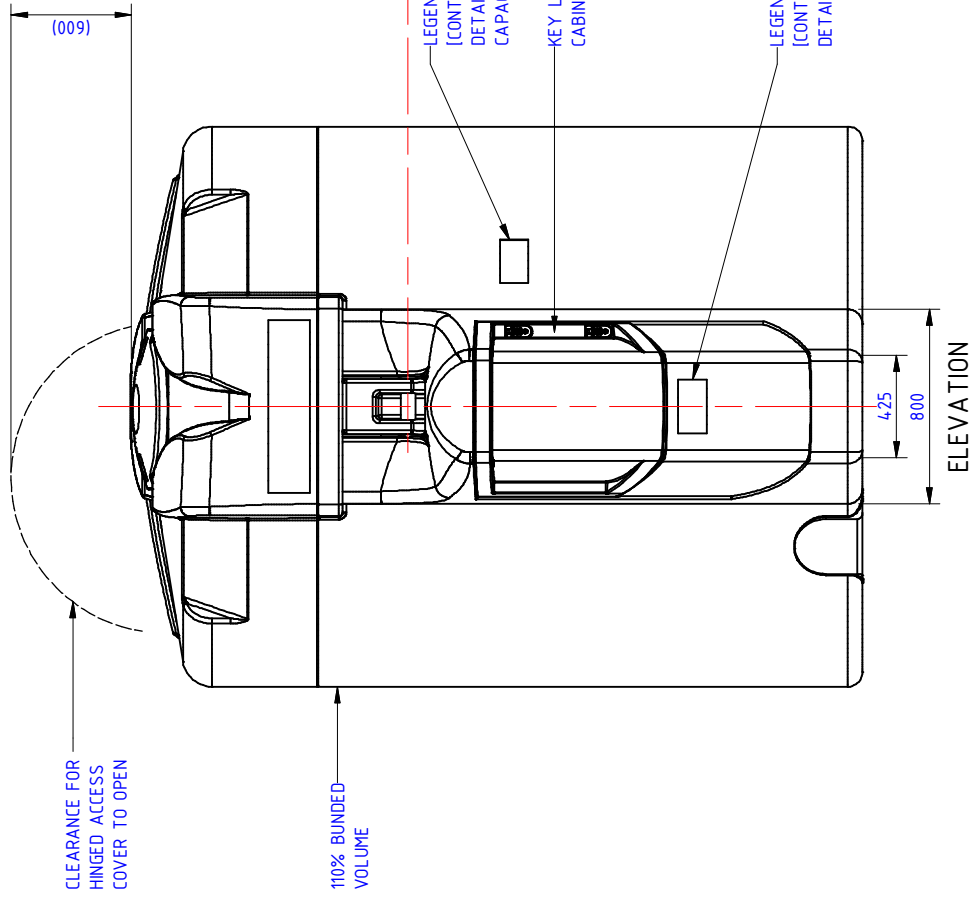
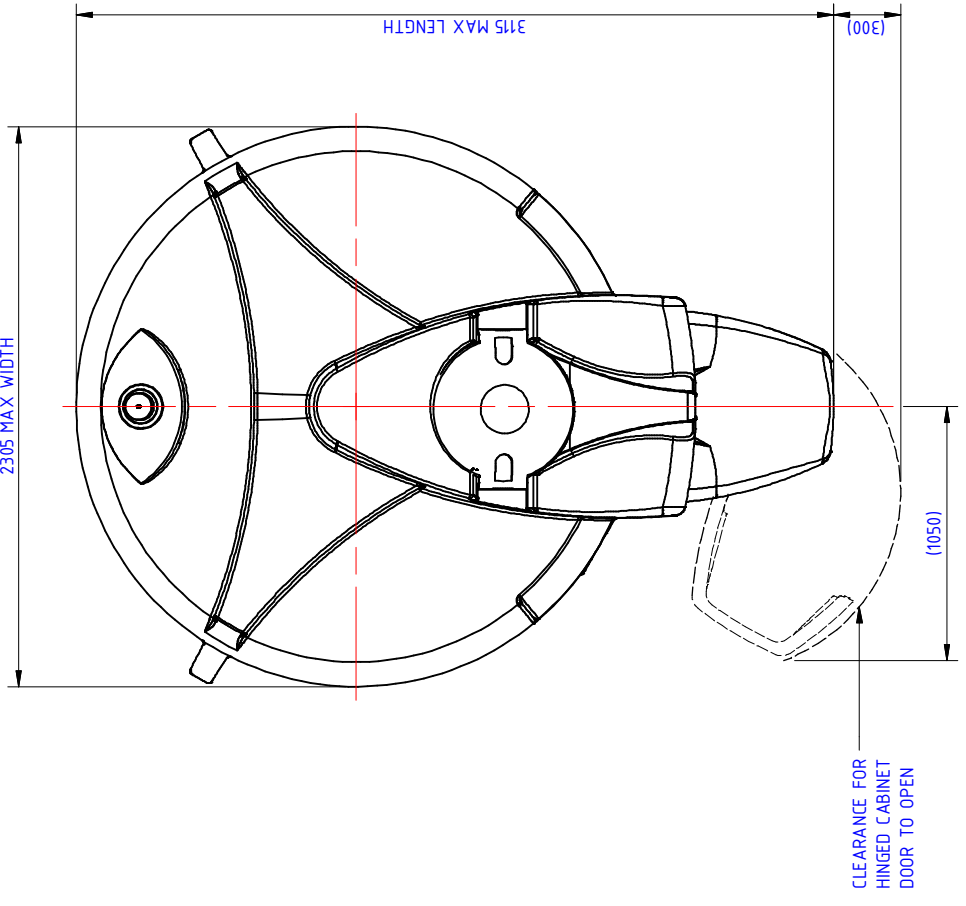
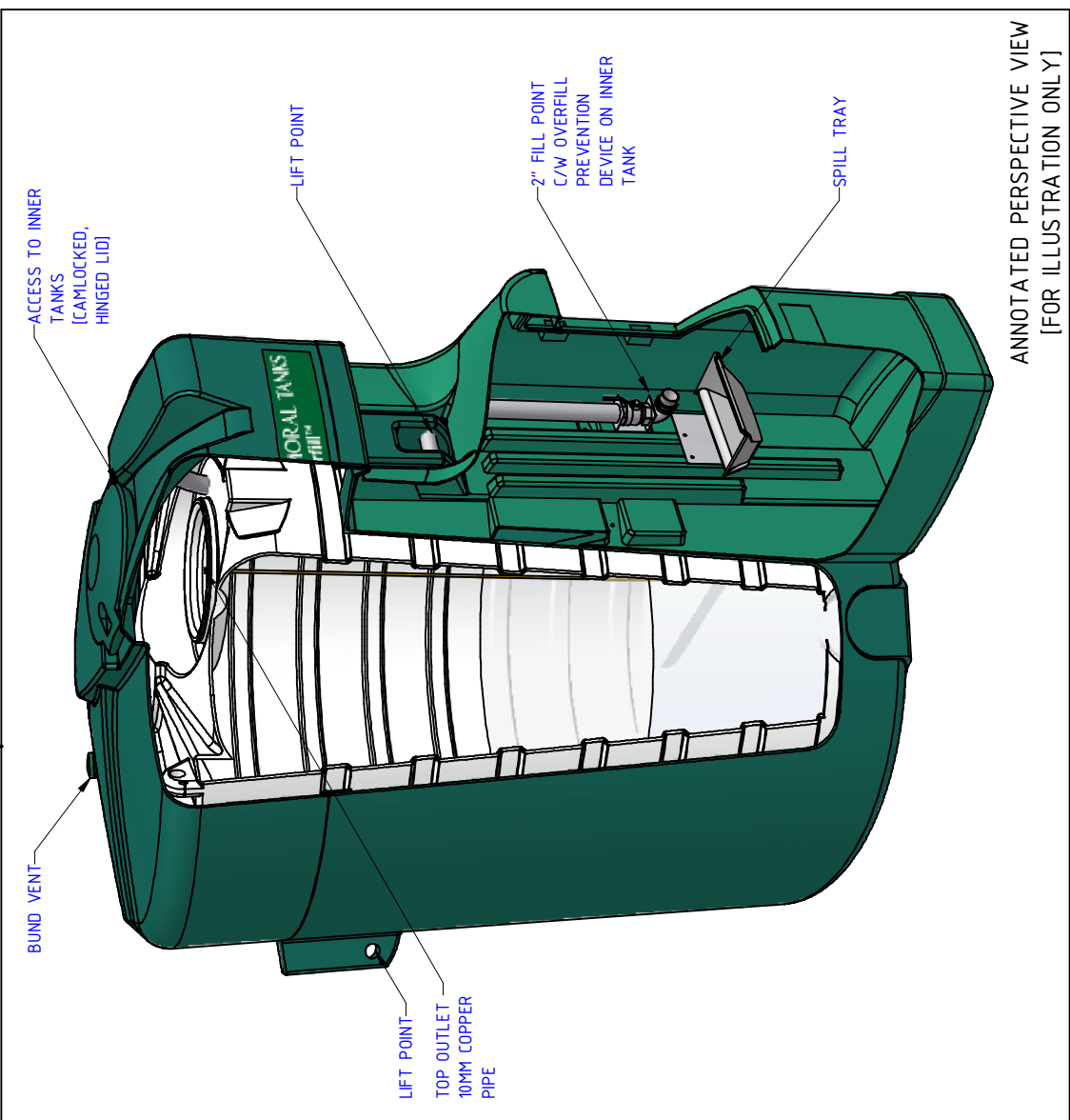
| 01    | SI | BB | BB | 26/02/07 |
|-------|----|----|----|----------|
| ISSUE |    |    |    | DATE     |
|       |    |    |    | BY       |
|       |    |    |    | CHK      |
|       |    |    |    | APV      |
|       |    |    |    | DATE     |

**BALMORAL GROUP LTD**  
 Balmoral Park, Loirston, Aberdeen AB12 3GY, Scotland  
 Telephone +44 (0)1224 859000 Fax +44 (0)1224 859059  
 E-mail group@balmoral.co.uk

CLIENT  
**BALMORAL TANKS SALES**  
 PROJECT No. 6003

DRAWING TITLE  
**VB7500 - G.A. TOP OUTLET WITH CABINET**  
**BND-VB7500-NG-TE-WC**

|            |                    |             |                |
|------------|--------------------|-------------|----------------|
| DRAWN BY   | CHECKED BY         | APPROVED BY | DRAWING No.    |
| S.IRONSIDE | B.BAKEWELL         | B.BAKEWELL  | 6003-INV D-009 |
| SCALE      | DATE               | SHEET SIZE  | JOB No.        |
| 1:22       | 26th FEBRUARY 2007 | A2          |                |



SIDE ELEVATION