

THIS DRAWING IS COPYRIGHT AND IS ISSUED ON CONDITION THAT IT IS NOT COPIED, REPRODUCED OR DISCLOSED TO A THIRD PARTY WITHOUT CONSENT IN WRITING OF BALMORAL GROUP LTD., ABERDEEN

01	FIRST ISSUE	SI	BB	BB	26/02/07
ISSUE	MODIFICATION	BY	CHK	APV	DATE

**BALMORAL GROUP LTD**  
 Balmoral Park, Loirston, Aberdeen AB12 3GY, Scotland  
 Telephone +44 (0)1224 859000 Fax +44 (0)1224 859059  
 E-mail group@balmoral.co.uk

**BALMORAL**  
 www.balmoral-group.com

CLIENT  
**BALMORAL TANKS SALES**  
 PROJECT No. 6003

DRAWING TITLE  
**VB7500 - G.A. BOTTOM OUTLET**  
**BND-VB7500-NG-BE**

DRAWN BY  
**SIRONSIDE**

DRAWING No.  
**6003-INV D-008**

CHECKED BY  
**B.BAKEWELL**

APPROVED BY  
**B.BAKEWELL**

DATE  
**26th FEBRUARY 2007**

SHEET SIZE  
**A2**

SCALE  
**1:22**

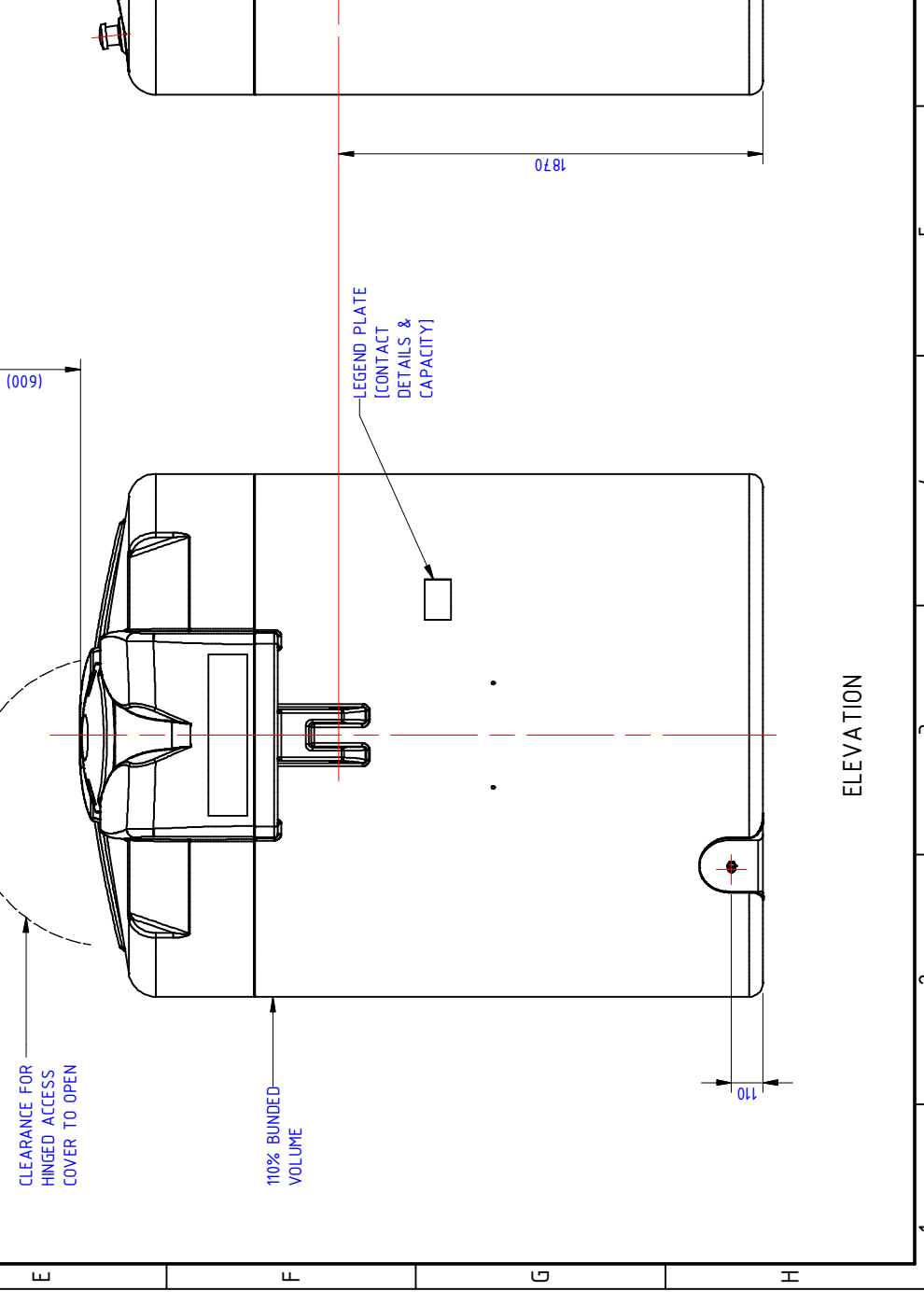
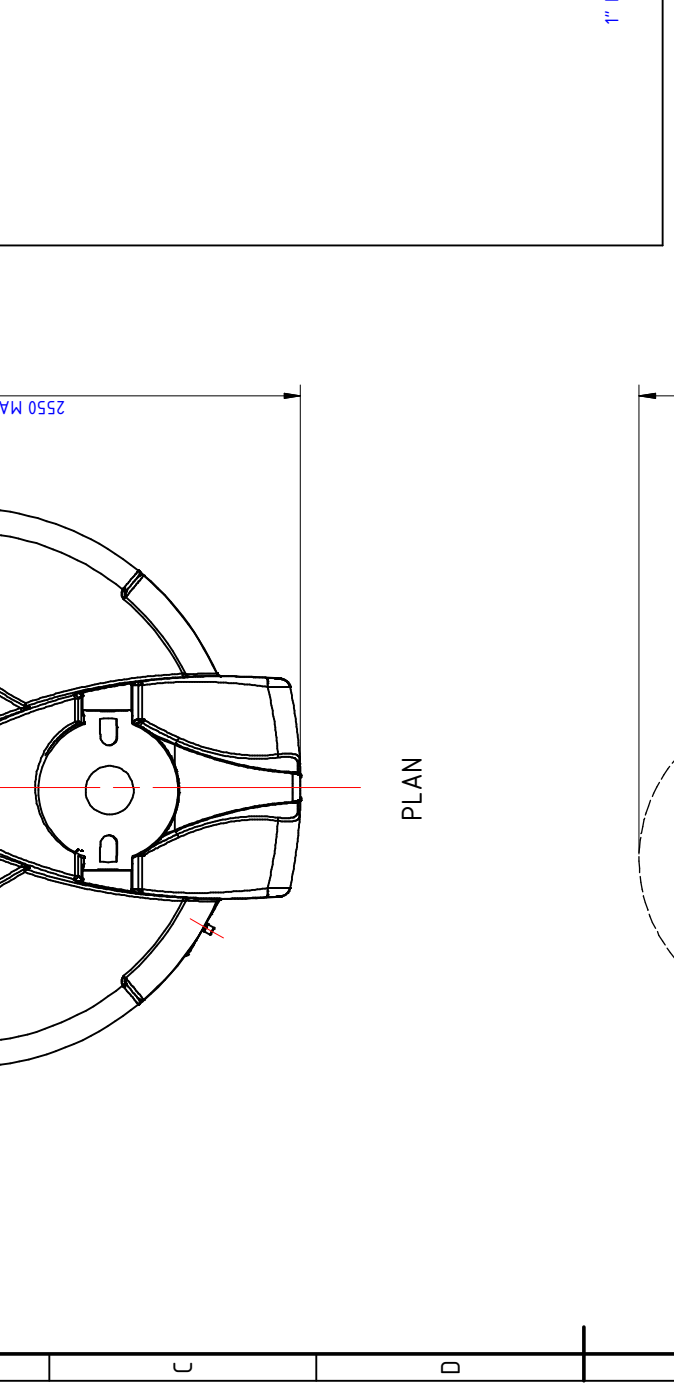
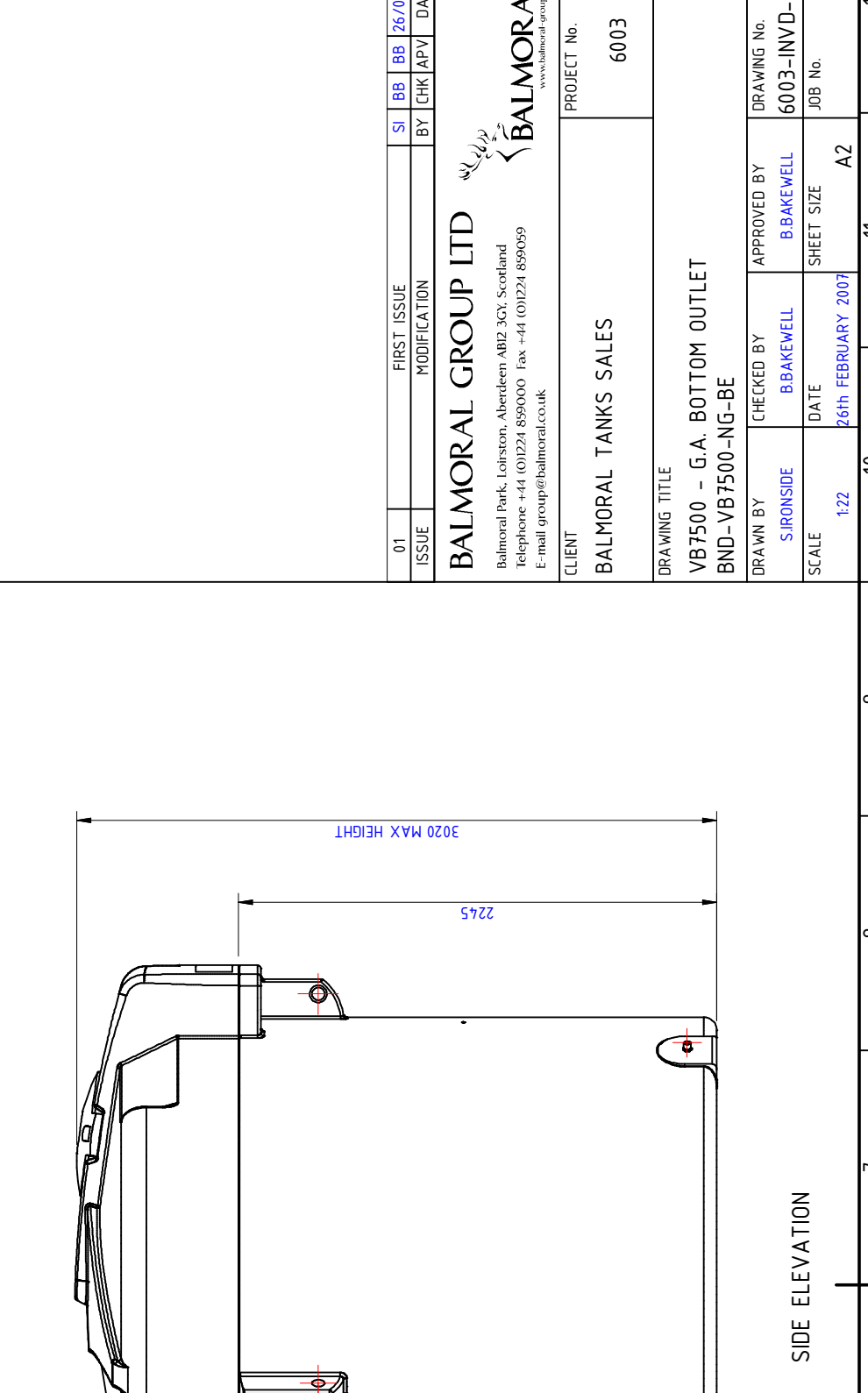
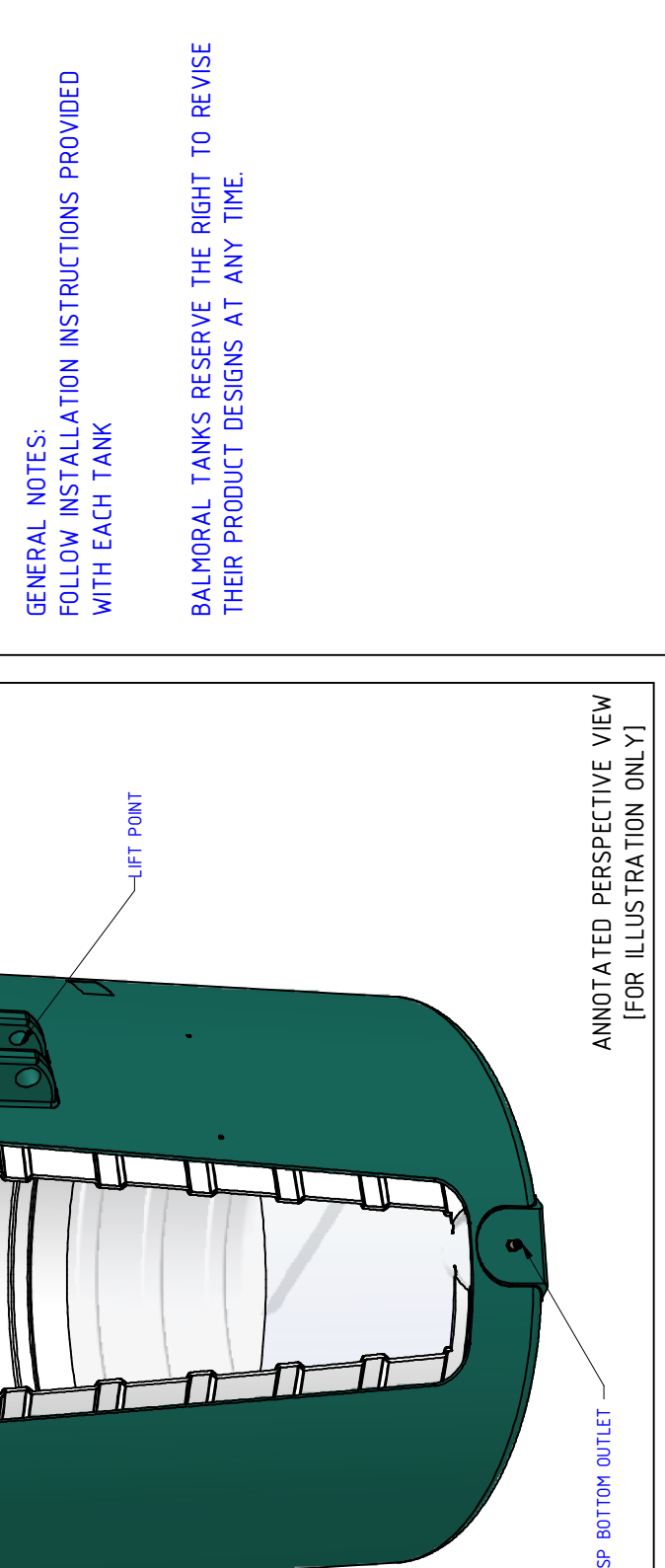
JOB No.  
**6003-INV D-008**

ALL DIMENSIONS IN MILLIMETRES UNLESS STATED OTHERWISE - DO NOT SCALE IF IN DOUBT - ASK

**VB7500 BOTTOM OUTLET INCLUDES:**  
 2" OVERFILL PREVENTION DEVICE  
 1" BOTTOM OUTLET FITTING  
 REMOTE LEVEL GAUGE & BUND ALARM

**GENERAL NOTES:**  
 FOLLOW INSTALLATION INSTRUCTIONS PROVIDED WITH EACH TANK

**BALMORAL TANKS RESERVE THE RIGHT TO REVISE THEIR PRODUCT DESIGNS AT ANY TIME.**



THIS DRAWING IS COPYRIGHT AND IS ISSUED ON CONDITION THAT IT IS NOT COPIED, REPRODUCED OR DISCLOSED TO A THIRD PARTY WITHOUT CONSENT IN WRITING OF BALMORAL GROUP LTD., ABERDEEN

01	FIRST ISSUE	SI	BB	BB	26/02/07
ISSUE	MODIFICATION	BY	CHK	APV	DATE

**BALMORAL GROUP LTD**  
 Balmoral Park, Loirston, Aberdeen AB12 3GY, Scotland  
 Telephone +44 (0)1224 859000 Fax +44 (0)1224 859059  
 E-mail group@balmoral.co.uk

**BALMORAL**  
 www.balmoral-group.com

CLIENT  
**BALMORAL TANKS SALES**  
 PROJECT No. 6003

DRAWING TITLE  
**VB7500 - G.A. TOP OUTLET  
 BND-VB7500-NG-TE**

DRAWN BY  
 SIRONSIDE

DRAWING No. 6003-INV0-010  
 JOB No.

CHECKED BY  
 B.BAKEWELL

APPROVED BY  
 B.BAKEWELL

DATE  
 26th FEBRUARY 2007

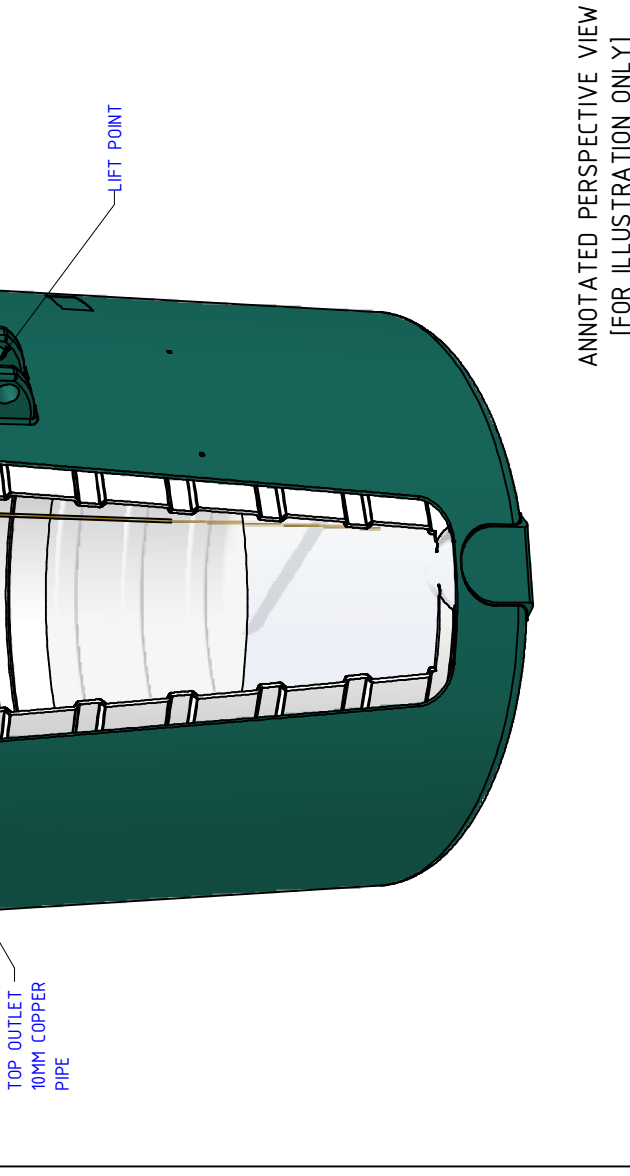
SHEET SIZE  
 A2

SCALE  
 1:22

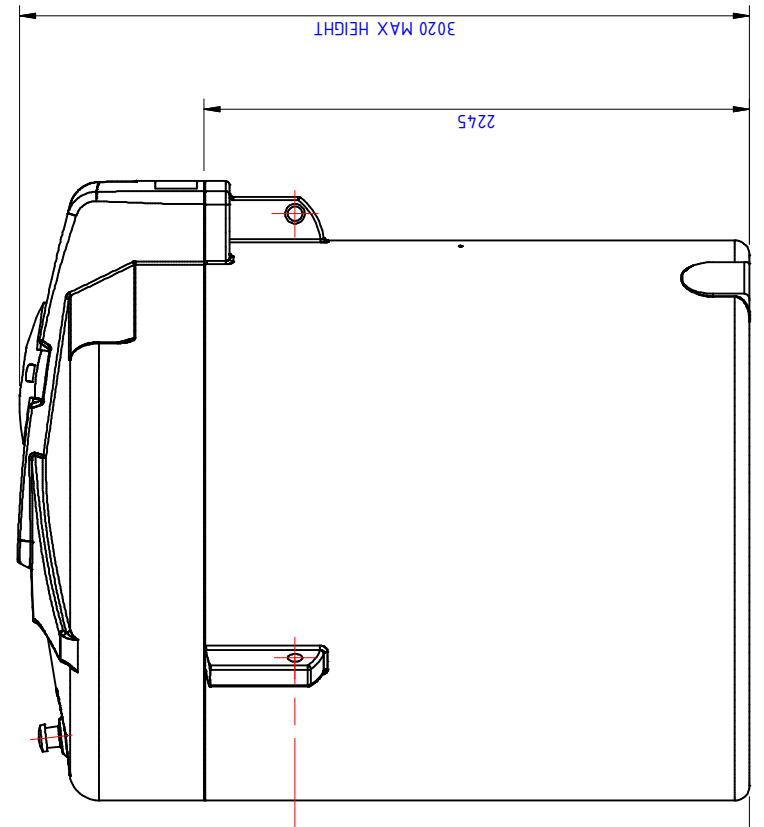
DATE  
 26th FEBRUARY 2007

FOR INTERNAL USE ONLY

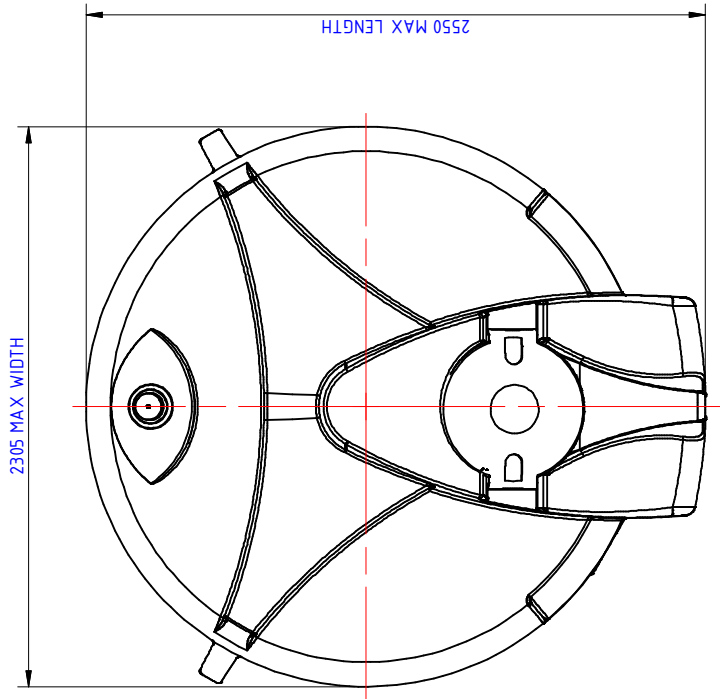
FOR INTERNAL USE ONLY



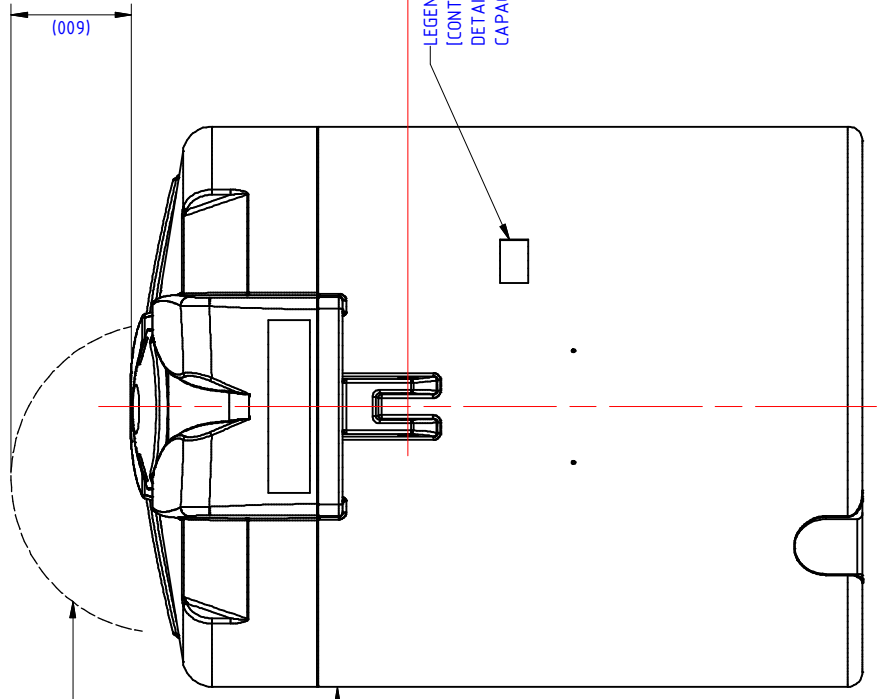
ANNOTATED PERSPECTIVE VIEW  
 [FOR ILLUSTRATION ONLY]



SIDE ELEVATION



PLAN



ELEVATION