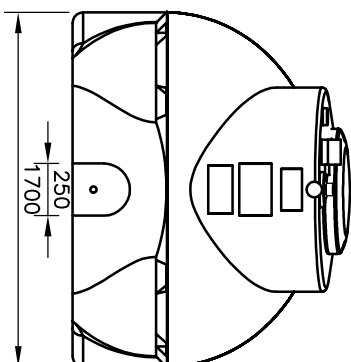
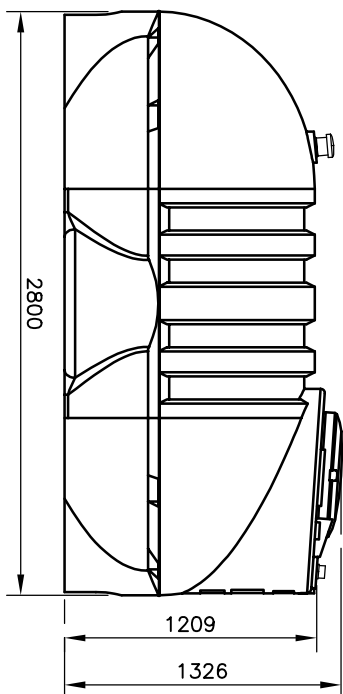


THIS DRAWING IS COPYRIGHT AND ISSUED ON CONDITION THAT IT IS NOT COPIED, REPRODUCED OR DISCUSSED WITH A THIRD PARTY WITHOUT THE CONSENT IN WRITING OF BALMORAL GROUP LTD, ABERDEEN.

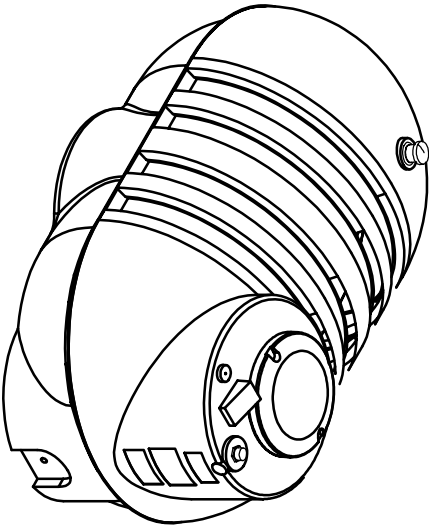
GENERAL NOTES:
 FOLLOW INSTALLATION INSTRUCTIONS PROVIDED WITH EACH TANK
 ALL DIMENSIONS ARE IN MM AND ARE APPROXIMATE FOR INFORMATION ONLY



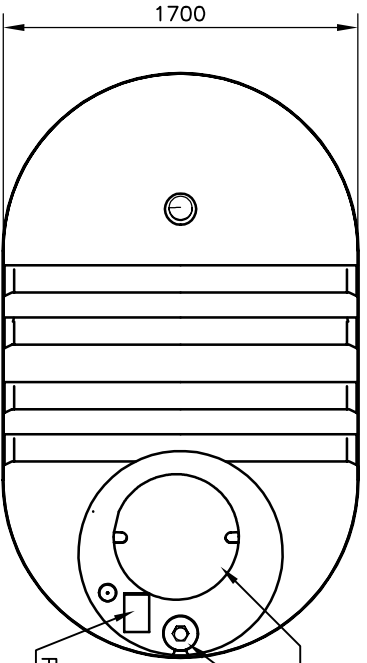
ELEVATION



ELEVATION



ISOMETRIC



PLAN

MANWAY ACCESS
 2" FILL POINT
 PROVISION FOR GAUGE



BALMORAL GROUP LTD.
 Balmoral Park, Lorrston, Aberdeen, AB12 3GY Scotland
 Telephone (01224) 859000 Fax (01224) 859059

01	FIRST ISSUE	EG	RF	ER	15/01/01	CLIENT : BALMORAL TANKS
	MODIFICATION	BY	CHK	APV	DATE	DESCRIPTION : H3500 STANDARD TANK
						PROJECT ID No. : 1013
						JOB No. : BMO29
						BY : EG
						CHK : RF
						APV : ER
						DRAWING No. : 00-066-01L