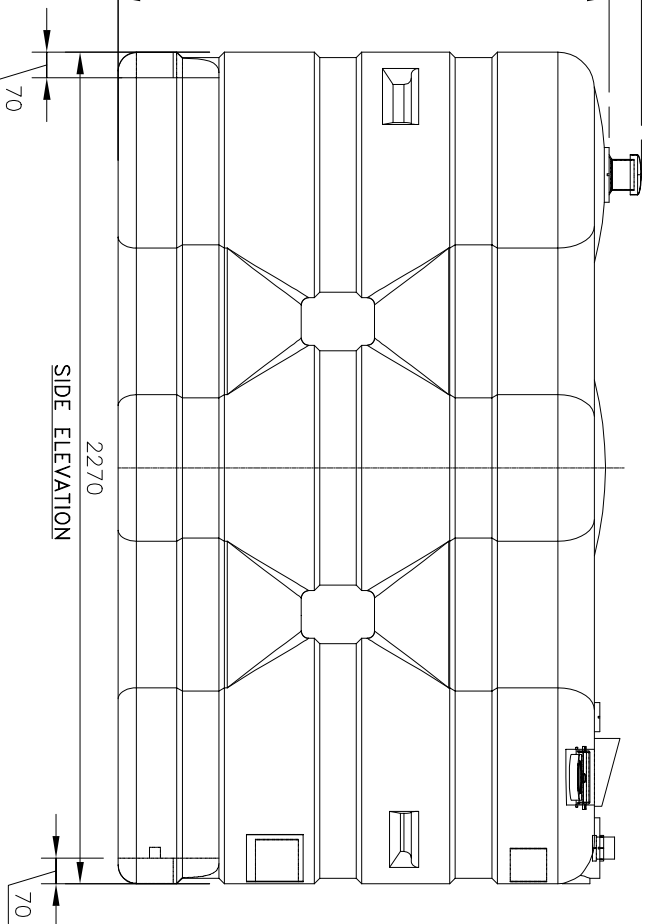
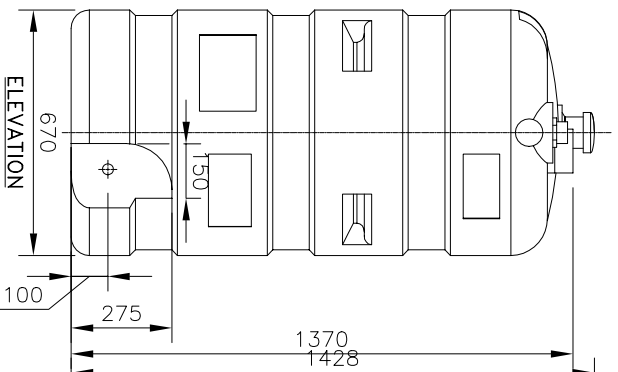
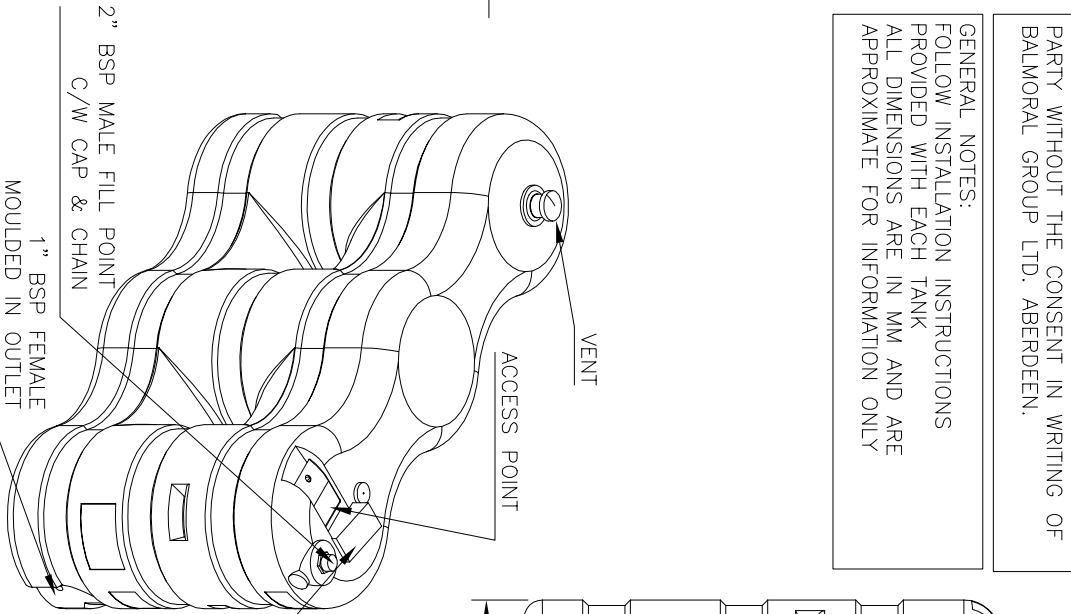
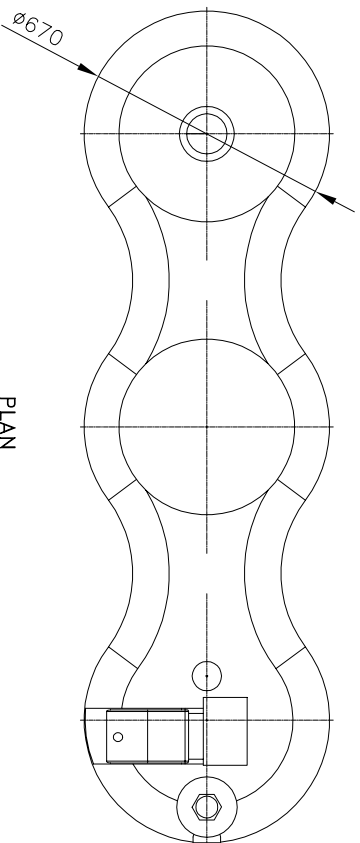


THIS DRAWING IS COPYRIGHT AND ISSUED ON CONDITION THAT IT IS NOT COPIED, REPRODUCED OR DISCUSSED WITH A THIRD PARTY WITHOUT THE CONSENT IN WRITING OF BALMORAL GROUP LTD. ABERDEEN.

GENERAL NOTES:
 FOLLOW INSTALLATION INSTRUCTIONS PROVIDED WITH EACH TANK
 ALL DIMENSIONS ARE IN MM AND ARE APPROXIMATE FOR INFORMATION ONLY



GAUGE POINT
 (GAUGE SUPPLIED SEPARATELY)



PLAN

BALMORAL GROUP LTD.

Balmoral Park, Lorrston, Aberdeen, AB12 3GY Scotland
 Telephone (01224) 859000 Fax (01224) 859059

01	FIRST ISSUE	EG	RF	ER	04/07/01	PROJECT ID No. : 1904	BY : EG	CHK : RF	APV : ER
ISSUE	MODIFICATION	BY	CHK	APV	DATE	JOB No. : BM008	DRAWING No. : 2425-300		

CLIENT : BALMORAL TANKS

DESCRIPTION : SL1250 FUEL TANK

1

2

3

4

5

6

1

2

3

4

5

6