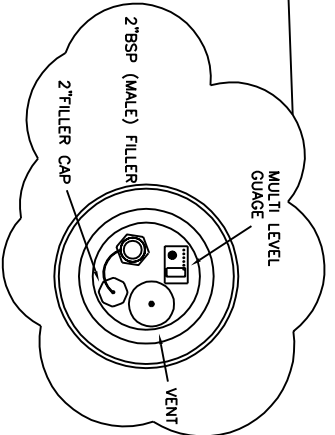


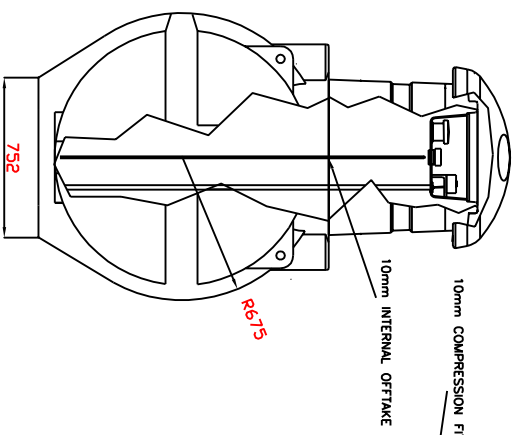
3D VIEW (partial)



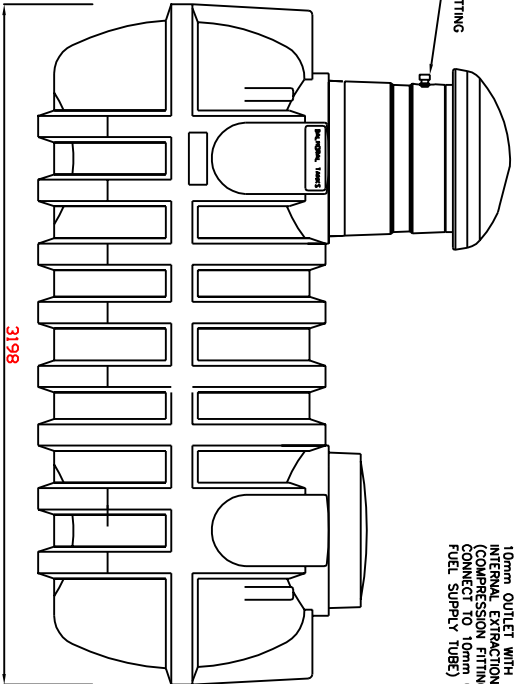
MANWAY DETAIL

THIS DRAWING IS COPYRIGHT AND IS ISSUED ON CONDITION THAT IT IS NOT COPIED, REPRODUCED OR DISCLOSED TO A THIRD PARTY WITHOUT THE CONSENT IN WRITING OF BALMORAL GROUP LTD. ABERDEEN

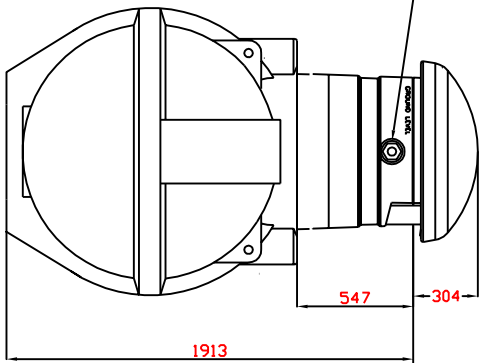
- FOLLOW INSTALLATION INSTRUCTIONS PROVIDED WITH EACH TANK
- ALL DIMENSIONS ARE APPROXIMATE / FOR INFORMATION ONLY
- ALLOW FOR TANK EXPANSION WHEN FULL (EG 150mm )
- ALLOW FOR WEIGHT OF TANK WHEN FULL IN SITE PREPARATION.



END ELEVATION (Cut away)



ELEVATION



10mm OUTLET WITH INTERNAL EXTRACTION TUBE (CONNECT TO 10mm COPPER FUEL SUPPLY TUBES)

GROUND LEVEL



**BALMORAL GROUP LTD.**  
 Balmoral Park, Loirston, Aberdeen, AB12 3QY Scotland  
 Telephone (01224) 859000 Fax (01224) 859059

02	NEW LID ADDED	RF	EG	19/02/01	CLIENT : BALMORAL TANKS	DESCRIPTION : 3090 UNDERGROUND FUEL
01	FIRST ISSUE	EG				
ISSUE	MODIFICATION	BY	CHK	DATE	PROJECT ID No. : 1637	DRAWING No. : 2410-02
					JOB No. : BMO27 00-151-OIL	DRAWING No. : 2410-02

1 2 3 4 5 6