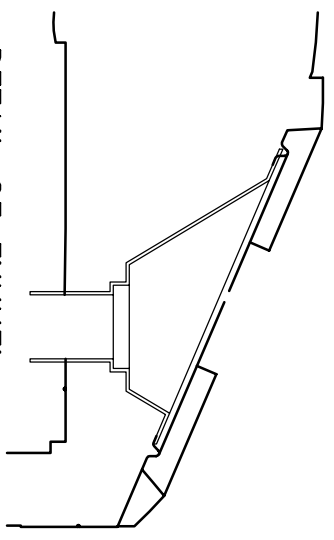
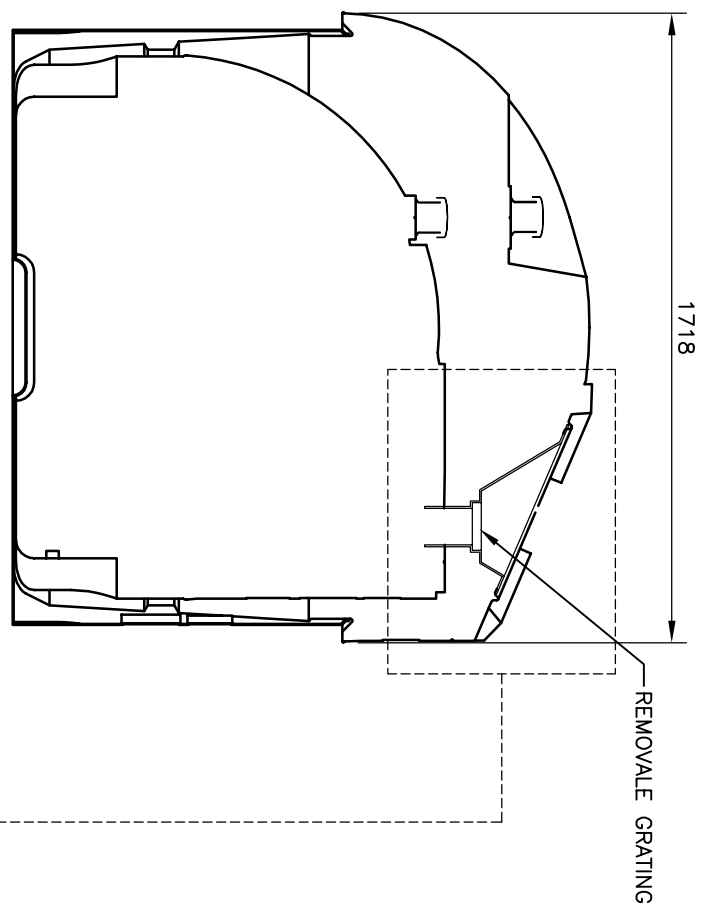
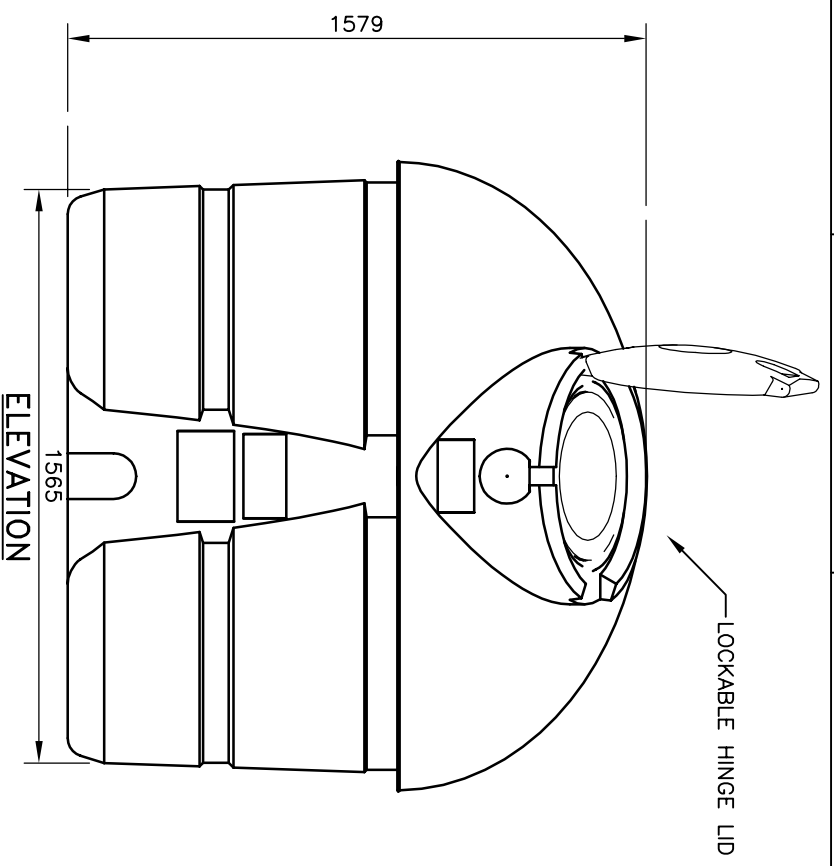


1 2 3 4 5 6

DO NOT SCALE



STOCK NUMBER : 00-401-OIL

ALLOW FOR 600mm TO OPEN HINGE LID

ALL DIMENSIONS ARE IN MM AND ARE APPROXIMATE AND FOR INFORMATION ONLY

THIS DRAWING IS COPYRIGHT AND IS ISSUED ON CONDITION THAT IT IS NOT COPIED REPRODUCED OR DISCLOSED TO A THIRD PARTY WITHOUT THE CONSENT IN WRITING OF BALMORAL GROUP LTD., ABERDEEN

BALMORAL GROUP LTD.

Balmoral Park, Liffiston, Aberdeen, AB12 3GY Scotland
 Telephone (01224) 859000 Fax (01224) 859059

01	FIRST ISSUE	EG	RF	13/06/01	CLIENT : BALMORAL TANKS
ISSUE	MODIFICATION	BY	CHK	DATE	DESCRIPTION : VB1300 WASTE OIL TANK
					PROJECT ID No. : 1043
					DRAWN : EG
					CHECK : RF
					JOB No. : BM029
					DRAWING No. : VB1300WO

1 2 3 4 5 6