

1 2 3 4 5 6

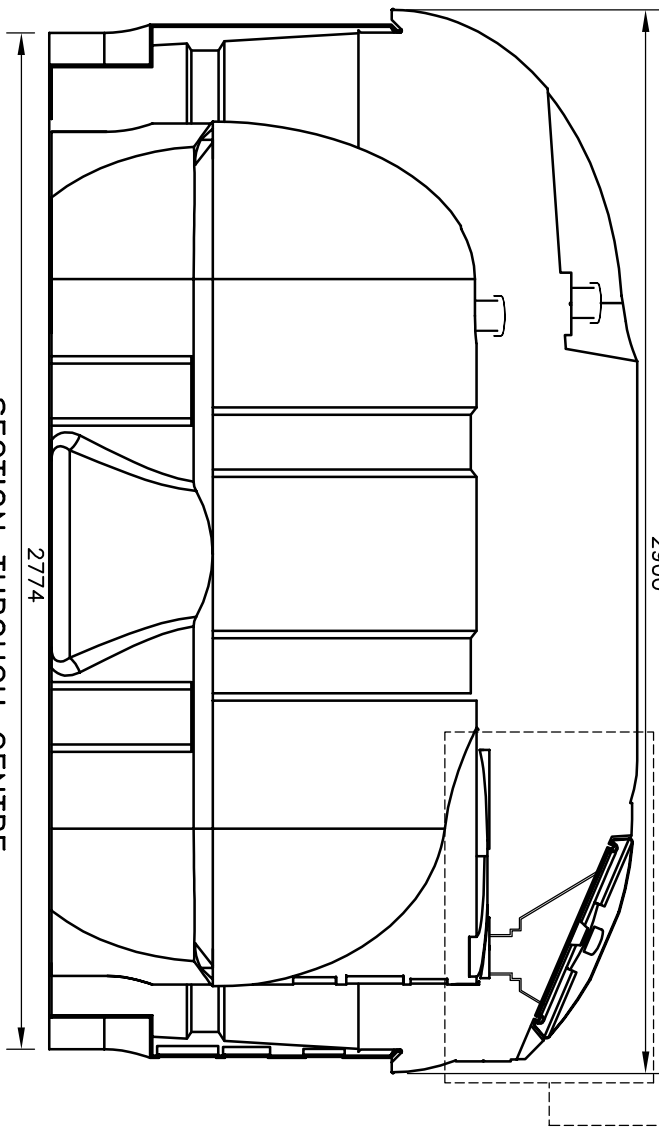
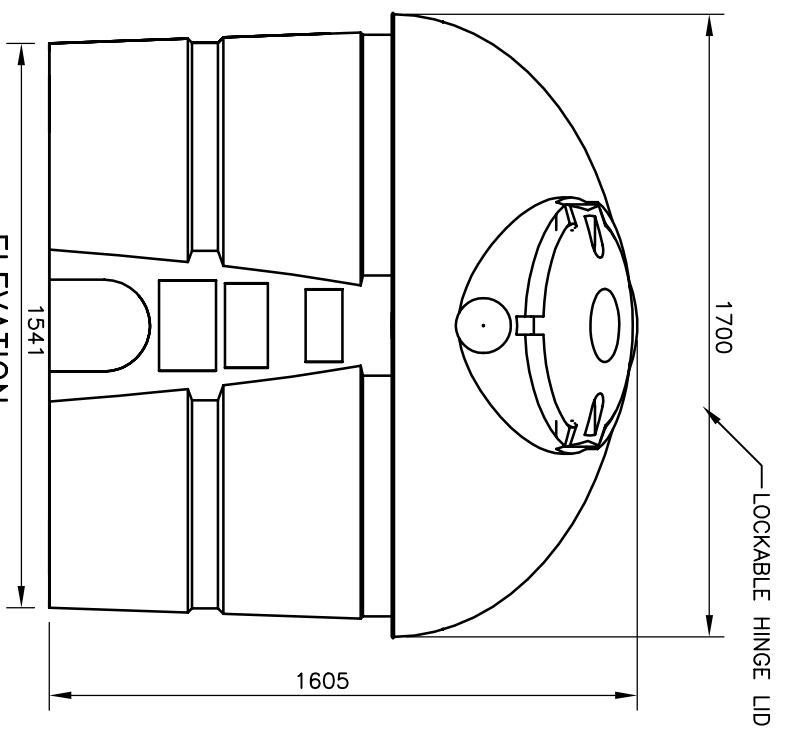
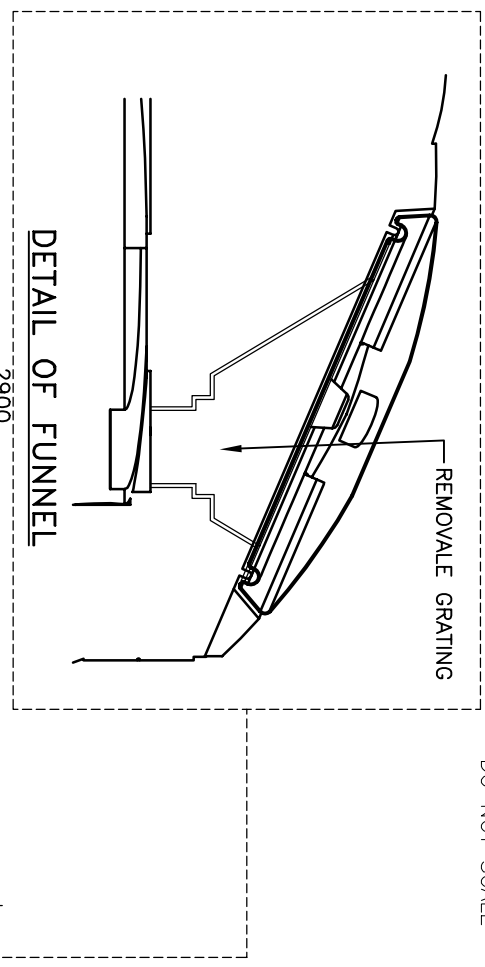
STOCK NO: 00-402-OIL

ALLOW 600MM TO OPEN HINGE LID

ALL DIMENSIONS ARE IN MM AND ARE APPROXIMATE FOR INFORMATION ONLY

THIS DRAWING IS COPYRIGHT AND IS ISSUED ON CONDITION THAT IT IS NOT COPIED REPRODUCED OR DISCLOSED TO A THIRD PARTY WITHOUT THE CONSENT IN WRITING OF BALMORAL GROUP LTD., ABERDEEN

DO NOT SCALE



BALMORAL GROUP LTD.

Balmoral Park, Lorrston, Aberdeen, AB12 3GY Scotland
Telephone (01224) 859000 Fax (01224) 859059

01	FIRST ISSUE	EG	RF	13/06/01	JOB No. : BM033	DRAWN : EG	CHECK : RF
ISSUE	MODIFICATION	BY	CHK	DATE		DRAWING No. : HB2500WO	
					CLIENT : BALMORAL TANKS		
					DESCRIPTION : HB2500 WASTE OIL		

1 2 3 4 5 6