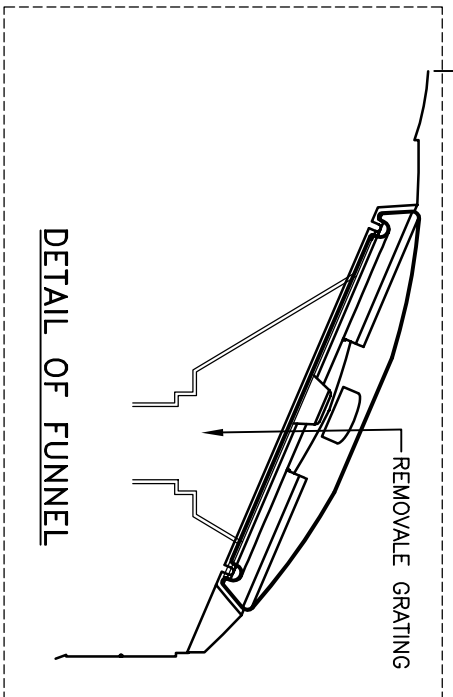


THIS DRAWING IS COPYRIGHT AND ISSUED ON CONDITION THAT IT IS NOT COPIED, REPRODUCED OR DISCUSSED WITH A THIRD PARTY WITHOUT THE CONSENT IN WRITING OF BALMORAL GROUP LTD. ABERDEEN.

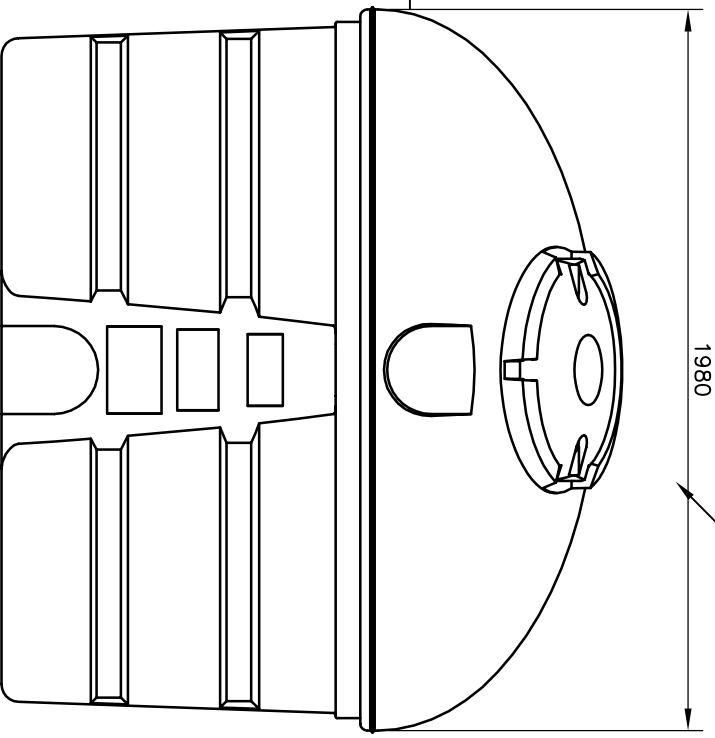
STOCK NUMBER : 00-403-01L

ALLOW 600MM TO OPEN HINGE LID  
 FOLLOW INSTALLATION INSTRUCTIONS PROVIDED WITH EACH TANK  
 ALL DIMENSIONS ARE IN MM AND ARE APPROXIMATE FOR INFORMATION ONLY

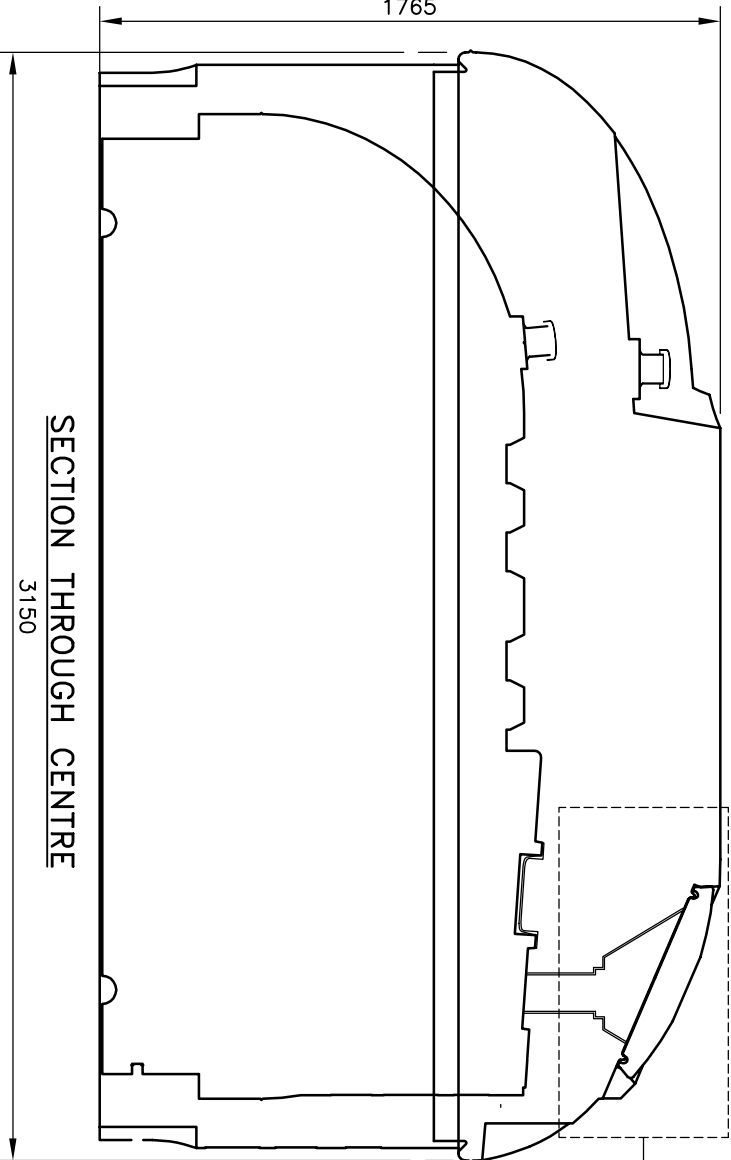
DO NOT SCALE



DETAIL OF FUNNEL



ELEVATION



SECTION THROUGH CENTRE

3150

**BALMORAL GROUP LTD.**

Balmoral Park, Lorrston, Aberdeen, AB12 3GY Scotland  
 Telephone (01224) 859000 Fax (01224) 859059

01	FIRST ISSUE	EG	RF	13/06/01	CLIENT : BALMORAL TANKS
ISSUE	MODIFICATION	BY	CHK	DATE	DESCRIPTION : HB3500 WASTE OIL
					PROJECT ID No. : 1043
					JOB No. : BM033
					DRAWN : EG
					CHECK : RF
					DRAWING No. : HB3500WO



1 2 3 4 5 6