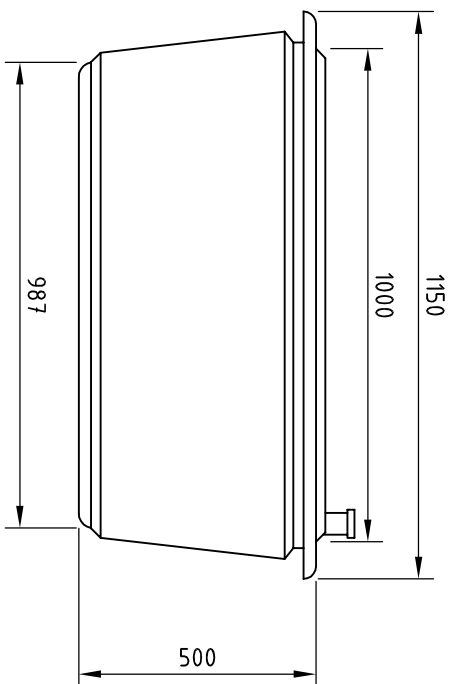
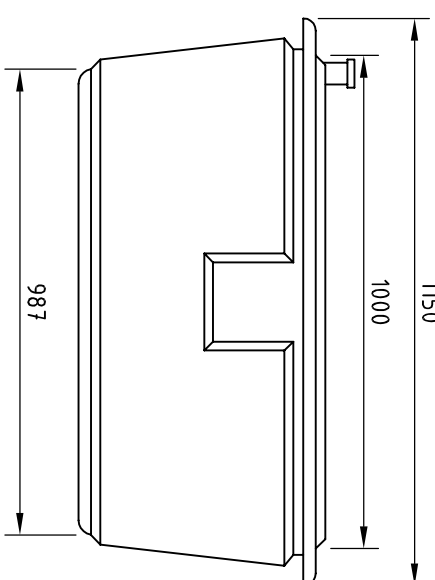


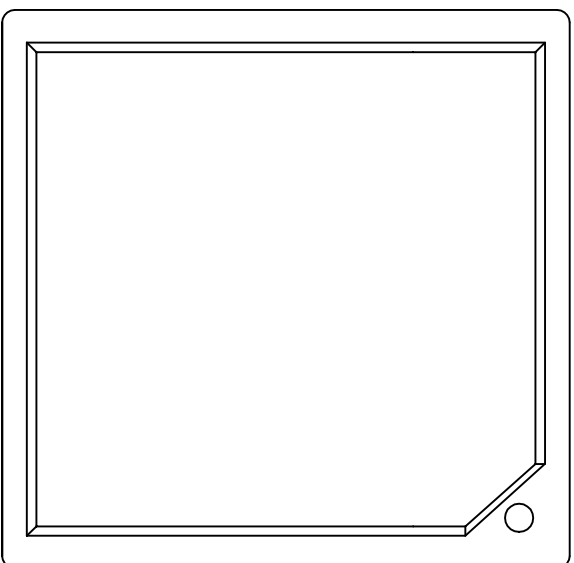
END ELEVATION



ELEVATION



END ELEVATION



PLAN

Note: All dimensions are nominal.

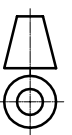
ISSUE	MODIFICATION	BY	CHK	APV	DATE
01	FIRST ISSUE	LS			26/02/02

**BALMORAL GROUP LTD**

Balmoral Park, Loirston, Aberdeen AB12 3GY, Scotland  
 Telephone +44 (0)1224 859000 Fax +44 (0)1224 859059  
 E-mail group@balmoral.co.uk



THIS DRAWING IS COPYRIGHT AND IS ISSUED ON CONDITION THAT IT IS NOT  
 COPIED, REPRODUCED OR DISCLOSED TO A THIRD PARTY WITHOUT  
 CONSENT IN WRITING OF BALMORAL GROUP LTD., ABERDEEN



FIRST ANGLE PROJECTION



THIRD ANGLE PROJECTION

ALL DIMENSIONS IN MILLIMETRES UNLESS STATED OTHERWISE - DO NOT SCALE  
 IF IN DOUBT - ASK

CLIENT  
**BALMORAL TANKS**

PROJECT No.  
**3292**

DRAWING TITLE

**BALMORAL ONE PIECE TANK BOPi 110LP**

DRAWN BY

Luba Shanks

CHECKED BY

APPROVED BY

DRAWING No.  
**BOPi-110LP**

SCALE

N.T.S.

DATE

26 Feb, 2002

SHEET SIZE

A3

JOB No.

BTAN/0/05214