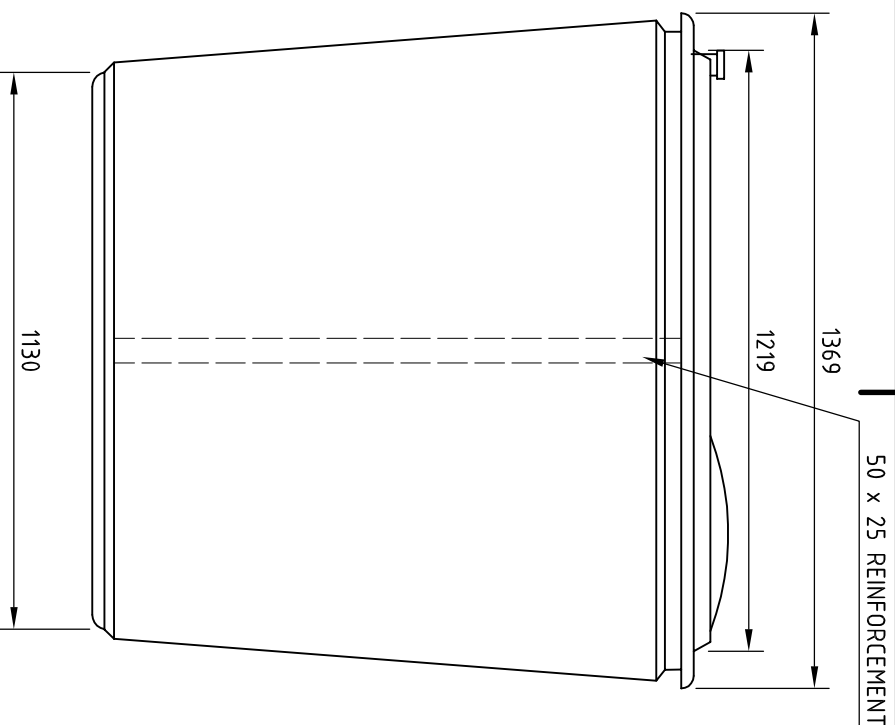
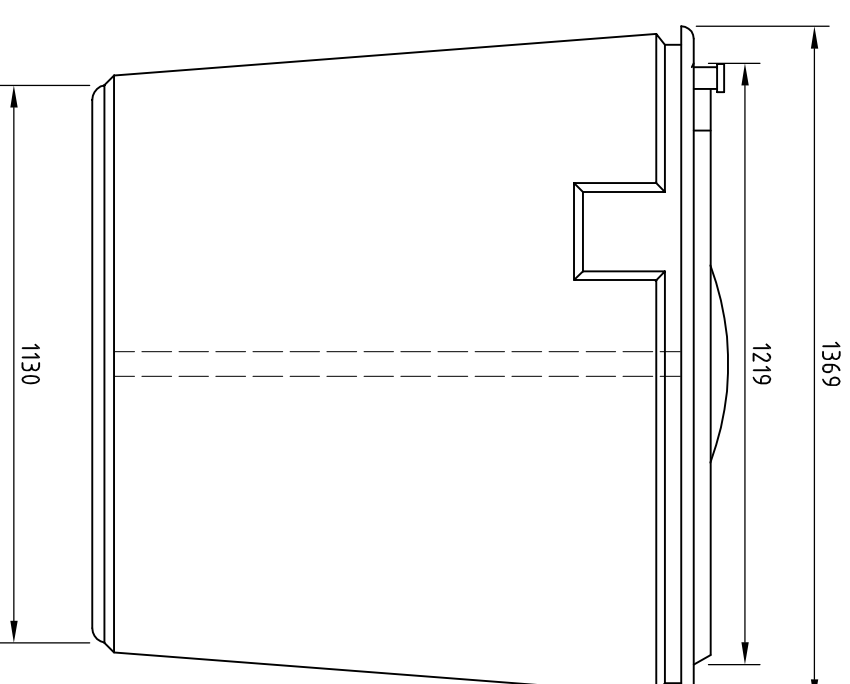


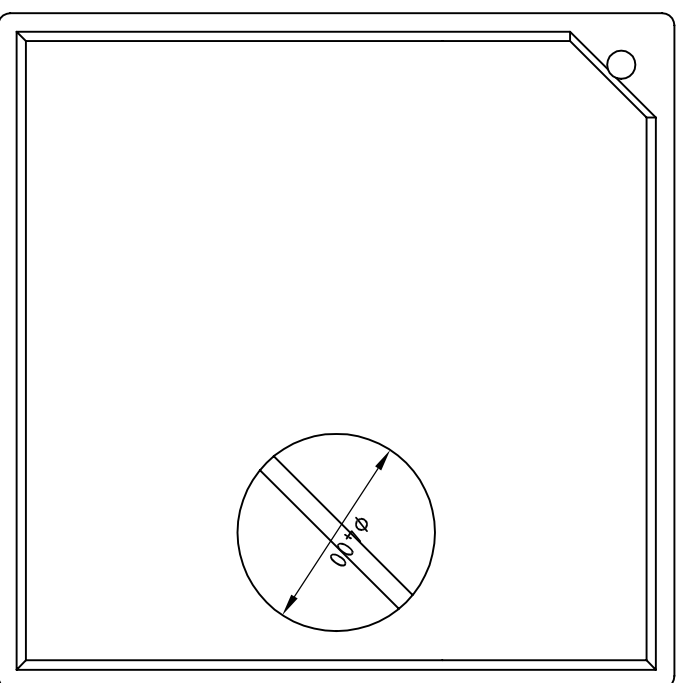
END ELEVATION



ELEVATION



END ELEVATION



PLAN

Note: All dimensions are nominal.

ISSUE	MODIFICATION	BY	CHK	APV	DATE
01	FIRST ISSUE	LS			19/02/02

BALMORAL GROUP LTD

Balmoral Park, Loirston, Aberdeen AB12 3GY, Scotland
Telephone +44 (0)1224 859000 Fax +44 (0)1224 859059
E-mail group@balmoral.co.uk



BALMORAL
www.balmoral-group.com

THIS DRAWING IS COPYRIGHT AND IS ISSUED ON CONDITION THAT IT IS NOT COPIED, REPRODUCED OR DISCLOSED TO A THIRD PARTY WITHOUT CONSENT IN WRITING OF BALMORAL GROUP LTD., ABERDEEN



FIRST ANGLE PROJECTION



THIRD ANGLE PROJECTION

ALL DIMENSIONS IN MILLIMETRES UNLESS STATED OTHERWISE - DO NOT SCALE IF IN DOUBT - ASK

CLIENT
BALMORAL TANKS

PROJECT No.
3292

DRAWING TITLE

BALMORAL ONE PIECE TANK BOPi 400

DRAWN BY

Luba Shanks

CHECKED BY

APPROVED BY

DRAWING No.
BOPi-400

SCALE

N.T.S.

DATE

19 Feb, 2002

SHEET SIZE

A3

JOB No.

BTAN/0/05214