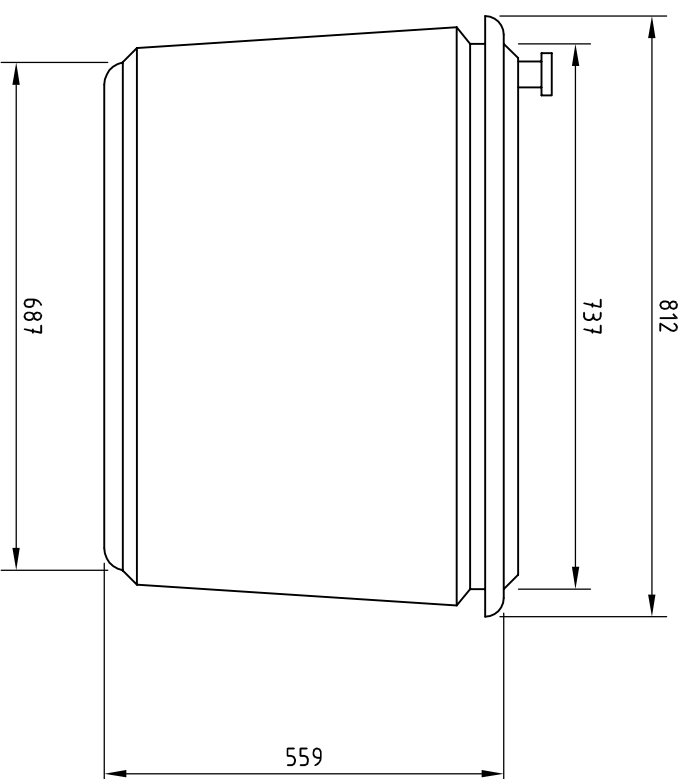
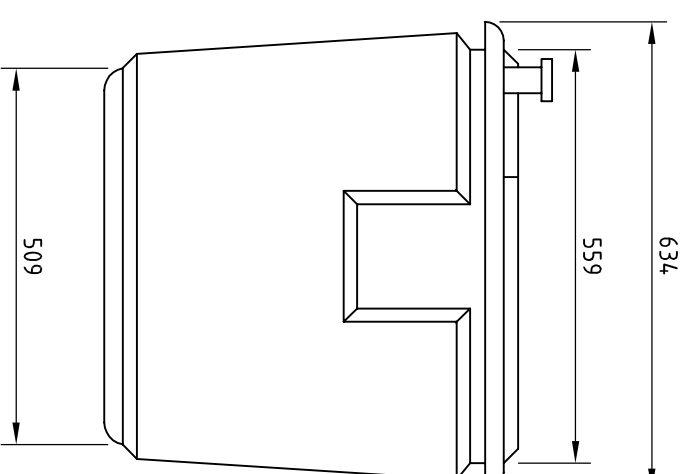


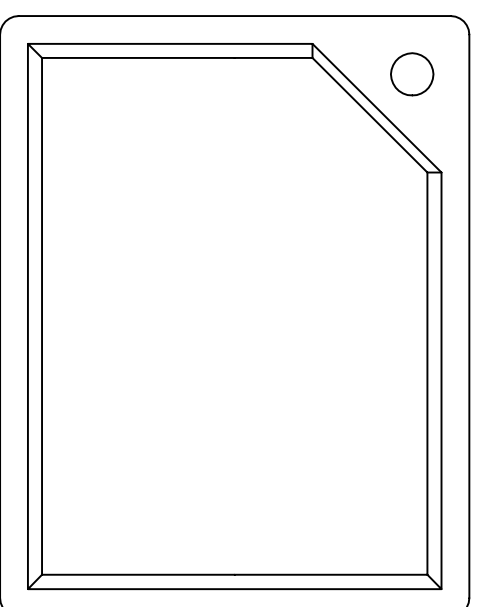
END ELEVATION



ELEVATION



END ELEVATION



PLAN

Note: All dimensions are nominal.

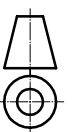
ISSUE	MODIFICATION	BY	CHK	APV	DATE
01	FIRST ISSUE	LS			19/02/02

BALMORAL GROUP LTD

Balmoral Park, Loirston, Aberdeen AB12 3GY, Scotland
 Telephone +44 (0)1224 859000 Fax +44 (0)1224 859059
 E-mail group@balmoral.co.uk



THIS DRAWING IS COPYRIGHT AND IS ISSUED ON CONDITION THAT IT IS NOT
 COPIED, REPRODUCED OR DISCLOSED TO A THIRD PARTY WITHOUT
 CONSENT IN WRITING OF BALMORAL GROUP LTD., ABERDEEN



FIRST ANGLE PROJECTION



THIRD ANGLE PROJECTION

ALL DIMENSIONS IN MILLIMETRES UNLESS STATED OTHERWISE - DO NOT SCALE
 IF IN DOUBT - ASK

CLIENT
BALMORAL TANKS
 PROJECT No.
3292

DRAWING TITLE
BALMORAL ONE PIECE TANK BOPi 50

DRAWN BY
 Luba Shanks
 CHECKED BY
 APPROVED BY
 DRAWING No.
BOPi 50

SCALE
 N.T.S.
 DATE
 19 Feb, 2002
 SHEET SIZE
A3
 JOB No.
 BTAN/0/05214