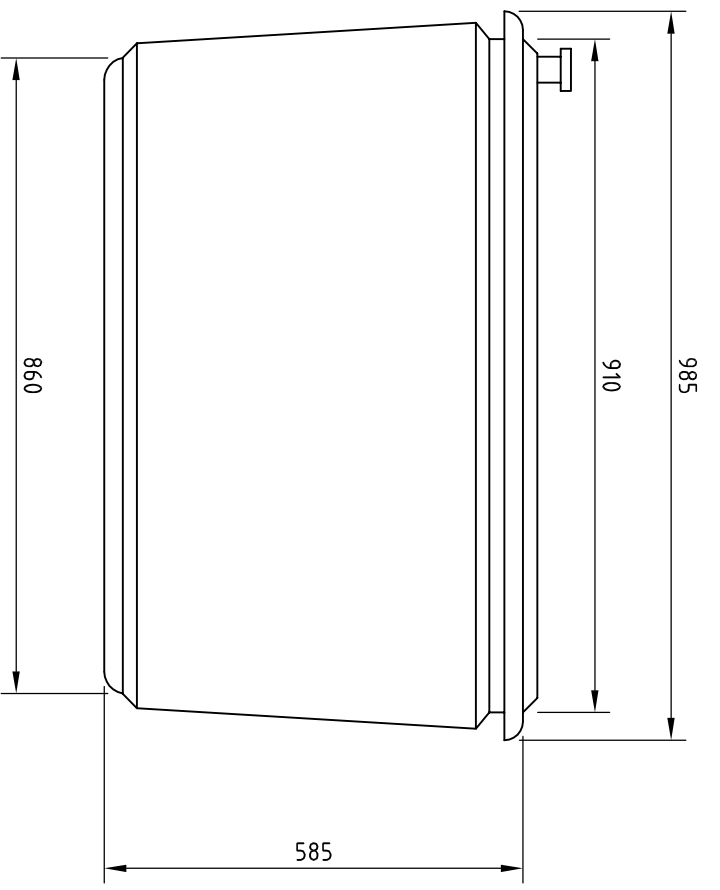
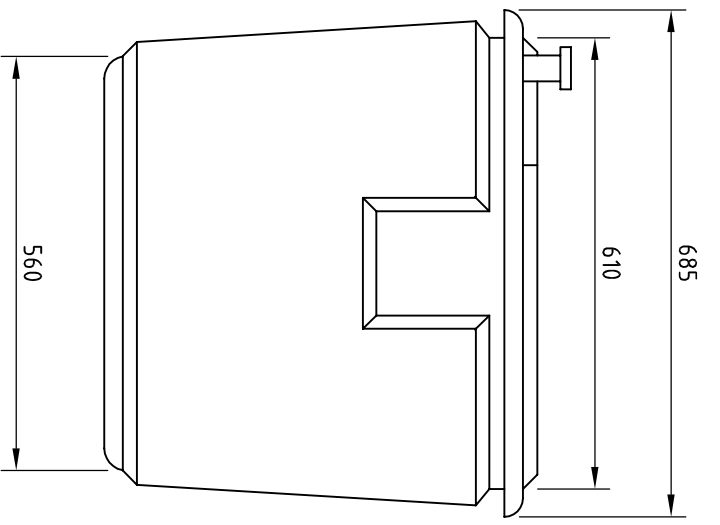


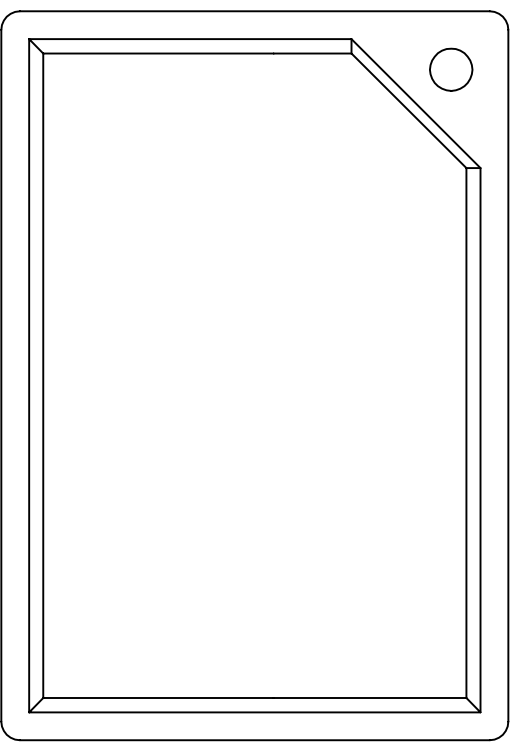
END ELEVATION



ELEVATION



END ELEVATION



PLAN

Note: All dimensions are nominal.

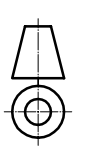
ISSUE	MODIFICATION	BY	CHK	APV	DATE
01	FIRST ISSUE	LS			19/02/02

BALMORAL GROUP LTD

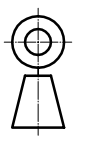
Balmoral Park, Loirston, Aberdeen AB12 3GY, Scotland
 Telephone +44 (0)1224 859000 Fax +44 (0)1224 859059
 E-mail group@balmoral.co.uk



THIS DRAWING IS COPYRIGHT AND IS ISSUED ON CONDITION THAT IT IS NOT COPIED, REPRODUCED OR DISCLOSED TO A THIRD PARTY WITHOUT CONSENT IN WRITING OF BALMORAL GROUP LTD., ABERDEEN



FIRST ANGLE PROJECTION



THIRD ANGLE PROJECTION

ALL DIMENSIONS IN MILLIMETRES UNLESS STATED OTHERWISE - DO NOT SCALE IF IN DOUBT - ASK

CLIENT
BALMORAL TANKS
 PROJECT No.
3292

DRAWING TITLE
BALMORAL ONE PIECE TANK BOP1 70

DRAWN BY
 Luba Shanks
 CHECKED BY
 APPROVED BY
 DRAWING No.
BOP1-70

SCALE
 N.T.S.
 DATE
 19 Feb, 2002
 SHEET SIZE
A3
 JOB No.
 BTAN/0/05214