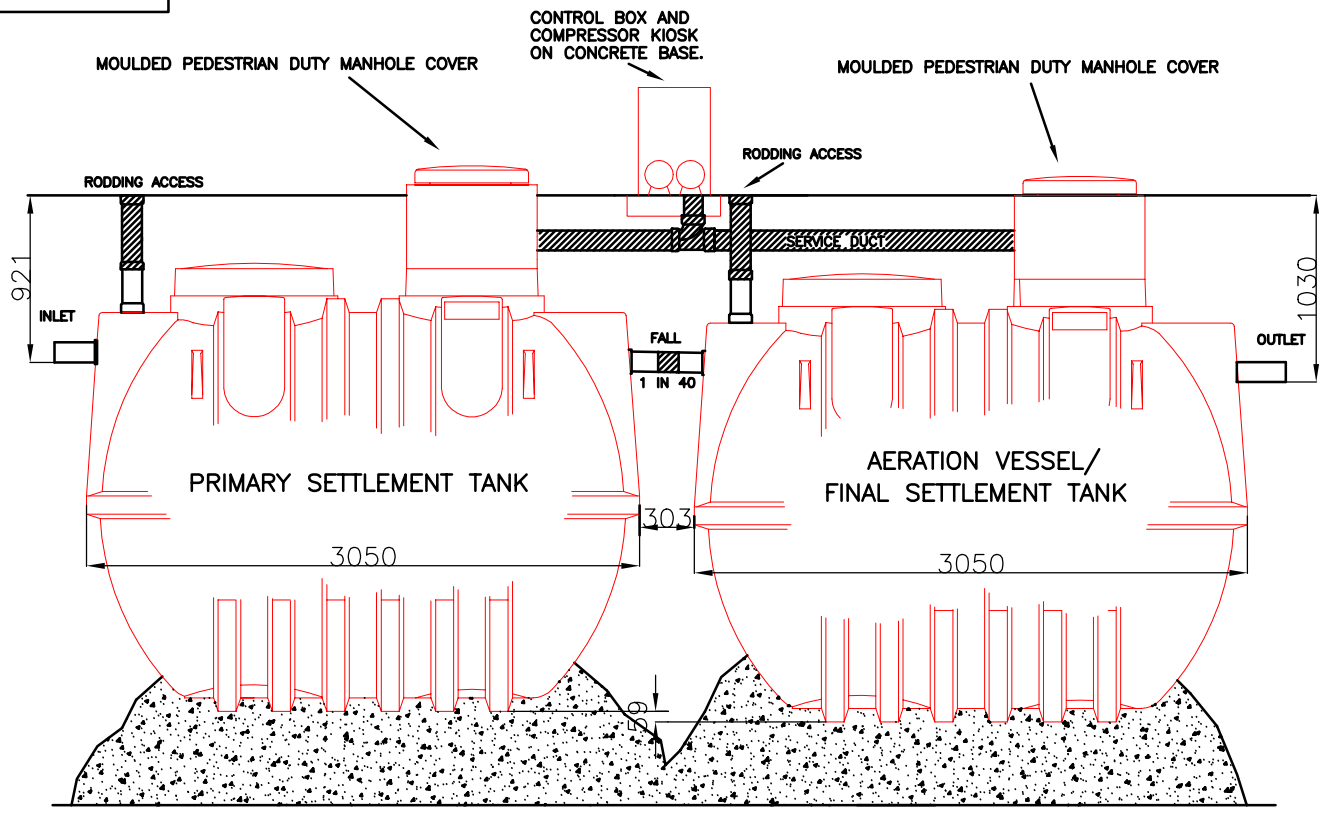


ELEVATION

HATCHED PIPEWORK NOT SUPPLIED BY BALMORAL

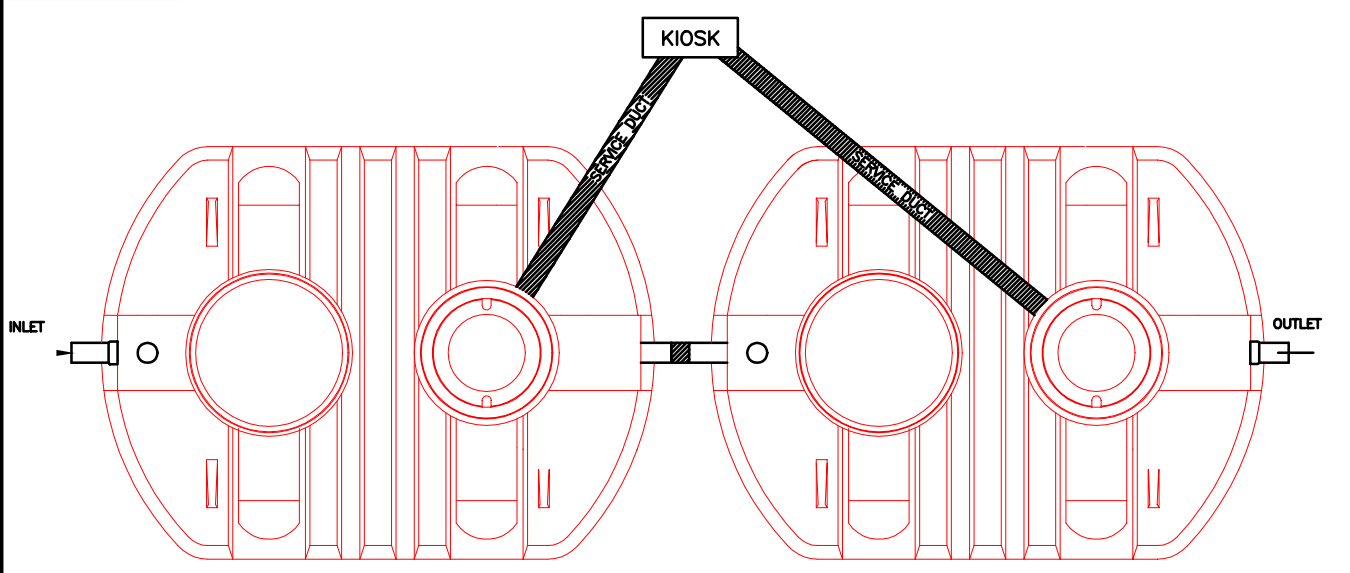


THIS DRAWING IS COPYRIGHT AND ISSUED ON CONDITION THAT IT IS NOT COPIED, REPRODUCED OR DISCUSSED TO A THIRD PARTY WITHOUT THE CONSENT IN WRITING OF BALMORAL GROUP LTD ABERDEEN.

ALL DIMENSIONS ARE IN MM APPROXIMATE AND FOR INFORMATION ONLY ALLOW FOR TANK EXPANSION WHEN FULL (e.g. 150mm) ALLOW FOR WEIGHT OF TANK WHEN FULL IN SITE PREPARATION

IMPORTANT: FOLLOW INSTALLATION INSTRUCTIONS PROVIDED WITH EACH TANK

PLAN



02	INVERT LEVEL AMENDMENT	RF		05/10/01
01	FIRST ISSUE	RF	EG	25/09/01
ISSUE	MODIFICATION	BY	CHK/APV	DATE

CLIENT BALMORAL TANKS			
DRAWING TITLE : SBR 48 - GA			
BY : RF	CHK :	APV :	PROJECT No. : BM022
JOB No. :		DRAWING No. : 2708-01	

BALMORAL GROUP LTD
 Balmoral Park, Loirston, Aberdeen AB12 3GY, Scotland
 Telephone +44 (0)1224 859000 Fax +44 (0)1224 859059
 E-mail group@balmoral.co.uk



BALMORAL
www.balmoral-group.com