

1

2

3

4

A

A

B

B

C

C

D

D

E

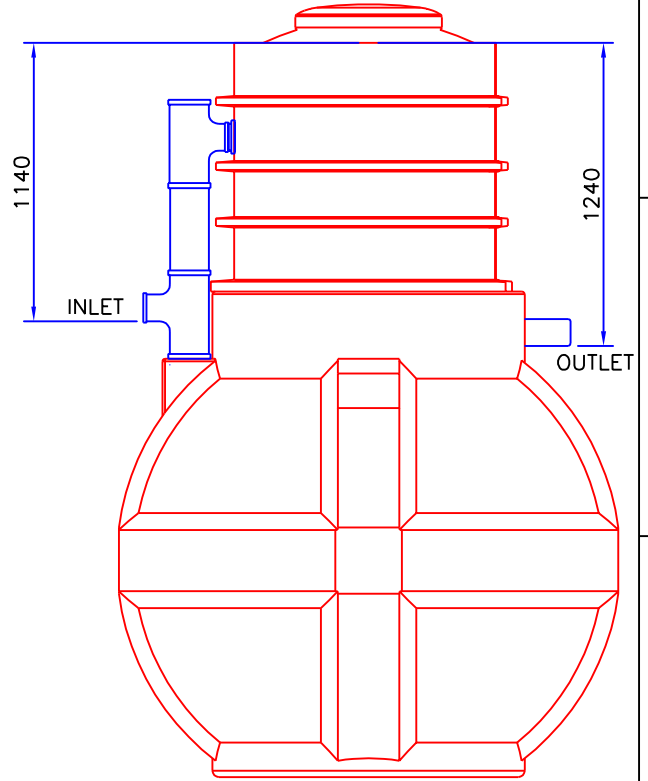
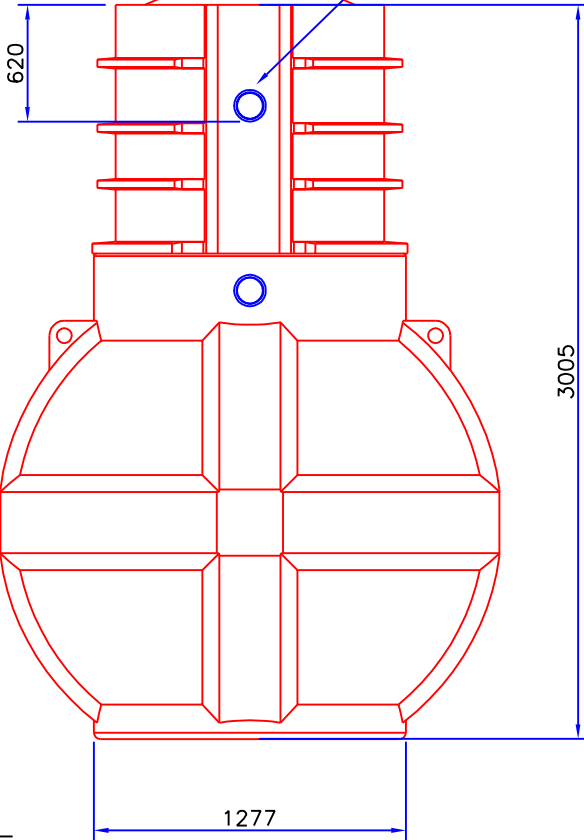
E

F

F

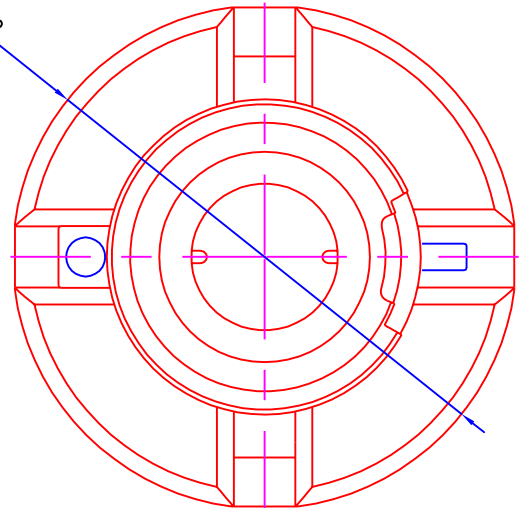
MANWAY 600 ϕ

SERVICE DUCT



INLET, OUTLET AND SERVICE DUCT PIPE-WORK 110mm dia.

$\phi 2062$



THIS DRAWING IS COPYRIGHT AND ISSUED ON CONDITION THAT IT IS NOT COPIED, REPRODUCED OR DISCUSSED TO A THIRD PARTY WITHOUT THE CONSENT IN WRITING OF BALMORAL GROUP LTD. ABERDEEN

FOLLOW INSTALLATION INSTRUCTIONS PROVIDED WITH EACH TANK
 ALL DIMENSIONS ARE IN MM APPROXIMATE FOR INFORMATION ONLY
 ALLOW FOR TANK EXPANSION WHEN FULL (e.g. 150mm)
 ALLOW FOR WEIGHT OF TANK WHEN FULL IN SITE PREPARATION



BALMORAL GROUP LTD.

Balmoral Park, Loirston, Aberdeen, Scotland
Telephone (01224) 859000 Fax (01224) 859059

CLIENT : BALMORAL TANKS

DESCRIPTION : SBR 6 POP - GA

03	ALL DIMENSIONS UPDATED	RF	EG	7/04/01
02	INCLUSION OF VENTING (REF:A3)	RF		12/12/00
01	FIRST ISSUE	EG		6/9/99
ISSUE	MODIFICATION	BY	CHK	DATE

PROJECT ID No. :	DRAWN : RF	CHECK : EG
JOB No. : BM022	DRAWING No. : 2700-01	

1

2

3

4