

BALMORAL TANKS



WATER STORAGE TANK BYELAW 30 KIT ASSEMBLY

Installation of a Balmoral water storage tank for storage of water for domestic purposes must follow the Water Byelaws to reduce the risk of water contamination and provide a hygienic water supply. This requires the application of a Balmoral Byelaw 30 Kit.

Before application of a Byelaw 30 Kit please refer to Balmoral water storage tank installation instructions (2-015-DOC).

Balmoral water storage tanks, supplied as standard, do not have any drilled holes so as not to restrict the location of the Byelaw 30 Kit components and are not supplied with any inlet fittings (such as ball valves). Balmoral Byelaw 30 Kits should only be fitted when tanks are for indoor use. The underground application of a water storage tank with a Byelaw 30 Kit is not recommended - for further clarification refer to the Water Supply Byelaws (published by the WRc (Water Research Centre)).

We recommend the supplier has knowledge of and is able to apply the relevant Water Byelaws to the standard Balmoral tank as supplied. The information provided is for guidance only as the location of fittings depends on components not supplied by Balmoral as well as specific site requirements. For private water supplies we recommend the user obtains advice on the correct tank/site installation from the relevant authority if the water supply is subject to any local regulations or controls.

Fittings in a complete byelaw kit

Your Balmoral water storage tank byelaw kit 30 contains the following items:

Tank fittings for up to 1" inlet (Stock no. 1-001-BYE)
Instruction leaflets (2-005-DOC and 2-015-DOC)

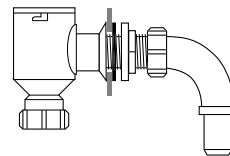
- a** 3/4" warning pipe
- b** 1 1/2" screened breather
- c** 2" overflow
- d** 2" tank connector

or

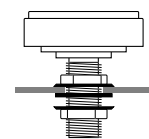
Tank fittings for over 1" inlet (Stock no. 1-002-BYE)
Instruction leaflets (2-005-DOC and 2-015-DOC)

- a** 3/4" warning pipe
- b** 1 1/2" screened breather
- c** 2 x 2" overflows
- d** 2 x 2" tank connectors

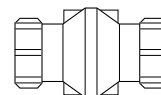
a 3/4" Warning pipe



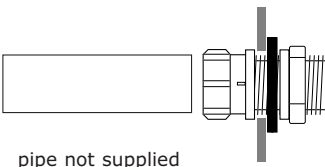
b 1 1/2" screened breather



c 2" overflow

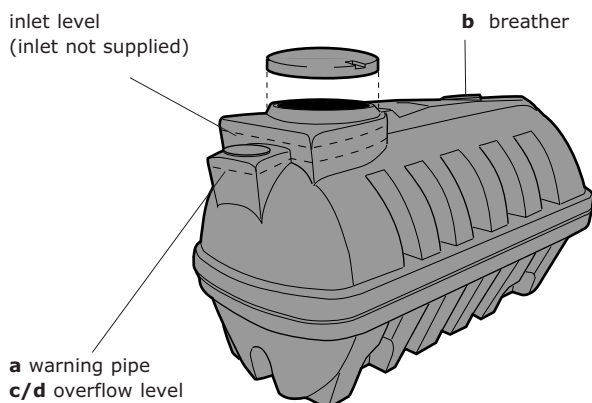


d 2" tank connector

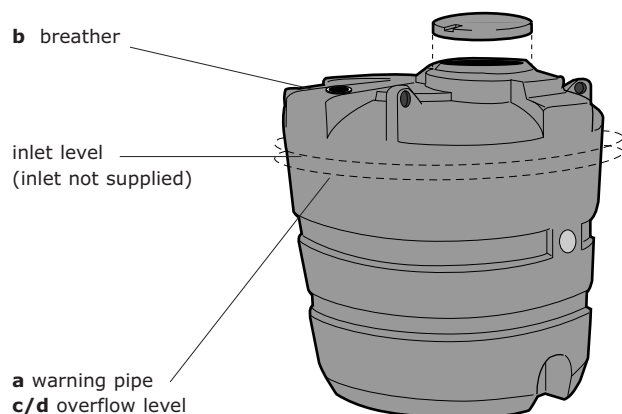


Location of Byelaw 30 fittings on tank

Horizontal tanks



Vertical tanks



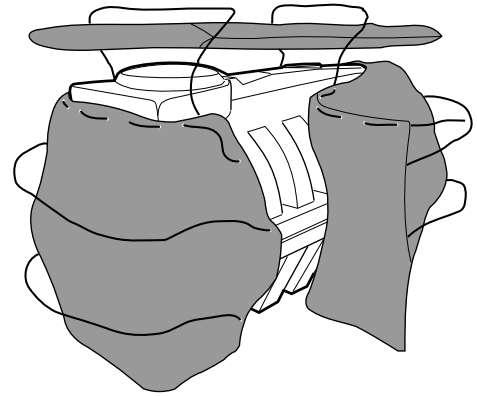
Insulation jacket

Size to suit each tank, 80mm nominal thickness, for indoor use only.

Application of insulation jacket

All Balmoral water storage tanks follow the insulation jacket procedures outlined below:

- 1 Position smaller insulation panel on top of tank
- 2 Thread cord through eyelets on larger panel ensuring some eyelets are left free for step 4
- 3 Wrap larger panel around tank and pull cord tight. Pull straps tight
- 4 Use excess cord, or additional length of strong cord to secure jacket across top of tank. Ensure access to manhole is not hindered by cord



Relationship of fittings for byelaw 30 cisterns (type B air gap)

Protects the mains supply in the event of valve failure.

Note: This arrangement is suitable for Byelaw 30 cisterns. It is not suitable for air gap protection to Byelaw 11.

Centre line of overflow to be below discharge level of float valve.

Overflow and warning pipe sizing

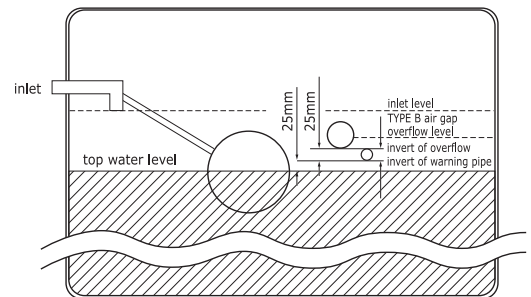
Overflow to be sized against float valve.

For float valve up to 50mm, overflow to be 2 x float valve diameter.

For float valve over 50mm, overflow to be 1.5-2 x float valve diameter.

Warning pipe to be 19mm.

Note: All pipes should be supported and fitted with a stainless steel backing plate to protect the tank where possible.



Type A air gap (for reference only)

Protects the mains supply in the event of valve and overflow failure.

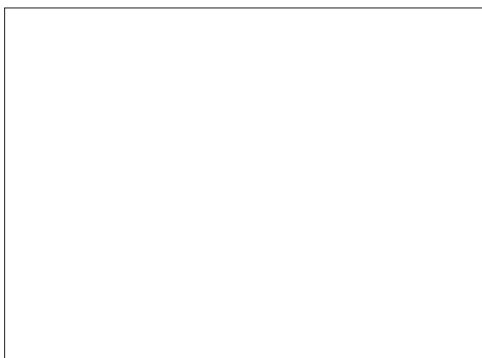
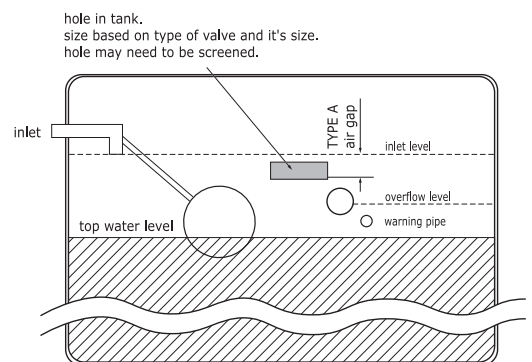
Size of gap that air gap is based on:

Type of valve Water Byelaw 11 BS 6281 part 1: 1992

Example of holes in a Balmoral V10000 tank would be approximately 4 x (150 x 250mm). Large holes may severely affect the structure of the tank wall.

We do not recommend the use of large inlet valves (i.e. 4" inlets) on water storage tanks.

Note: All pipes should be supported and fitted with a stainless steel backing plate to protect the tank where possible.



BALMORAL TANKS

Head Office & Factories

Balmoral Park, Loirston, Aberdeen

AB12 3GY, Scotland

Telephone +44 (0)1224 859000

Fax +44 (0)1224 859123

E-mail tanks@balmoral.co.uk



Balmoral Tanks believe that the information printed in this leaflet is accurate, and published for information only. No warranties, express or implied, are contained therein, nor does any legal liability attach to Balmoral Tanks for any reason whatsoever. Property rights of the subject belong to Balmoral Tanks, and transfer of these rights is not granted by possession of this document. The company's policy is one of continuous product improvement and we reserve the right to make alterations to our range and specification without prior notice.

2-005-DOC Rev E

