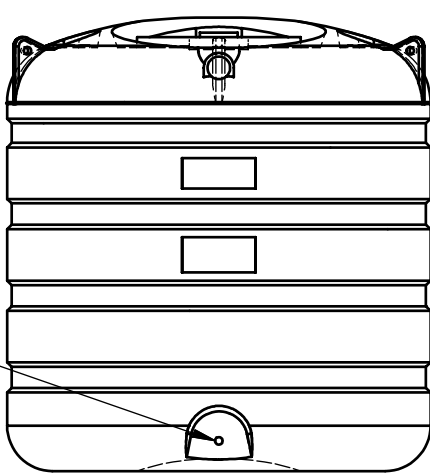


1 2 3 4

A

A



NOTE:-
TANK HEIGHT =
1500 OVERALL

1" BSP FEMALE
OUTLET (FITTED)

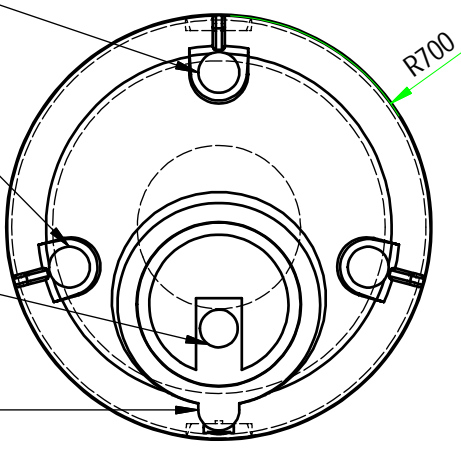
B

B

ELEVATION

2" VENT (SUPPLY ONLY)

'WATCHMAN' PROBE
LEVEL INDICATOR
(OPTIONAL EXTRA)



4" HINGED FLAP
LID (FITTED)

C

C

2" MALE BSP FILL
POINT c/w CAP &
CHAIN (SUPPLY
ONLY)

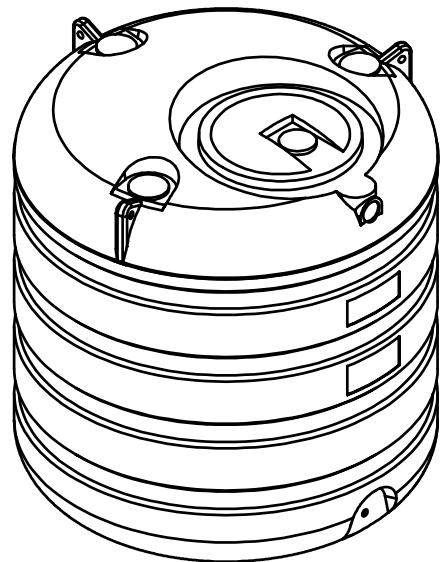
PLAN

D

D

THIS DRAWING IS COPYRIGHT & ISSUED ON
CONDITION THAT IT IS NOT COPIED,
REPRODUCED OR DISCUSSED WITH A THIRD
PARTY WITHOUT THE CONSENT IN WRITING OF
BALMORAL GROUP Ltd. ABERDEEN

- ALL DIMENSIONS ARE APPROXIMATE/FOR INFORMATION ONLY
- ALLOW FOR TANK EXPANSION WHEN FULL (eg.150mm)
- ALLOW FOR WEIGHT OF TANK WHEN FULL IN SITE PREPERATION
- FOLLOW INSTALLATION INSTRUCTIONS PROVIDED WITH EACH TANK



ISOMETRIC VIEW

E

E

F

F

02	HINGED FLAP ADDED	AL	KFS	KFS	18/07/02
01	FIRST ISSUE	AL	KFS	KFS	16/07/02

CLIENT : BALMORAL TANKS

DRAWING TITLE : V1800-Single Skin Fuel Tank

BY : AL CHK : KFS APV : KFS PROJECT No. : 3210

JOB No. : - DRAWING No. : 3210-02

BALMORAL GROUP LTD
Balmoral Park, Loirston, Aberdeen AB12 3GY, Scotland
Telephone +44 (0)1224 859000 Fax +44 (0)1224 859059
E-mail group@balmoral.co.uk



1 2 3 4