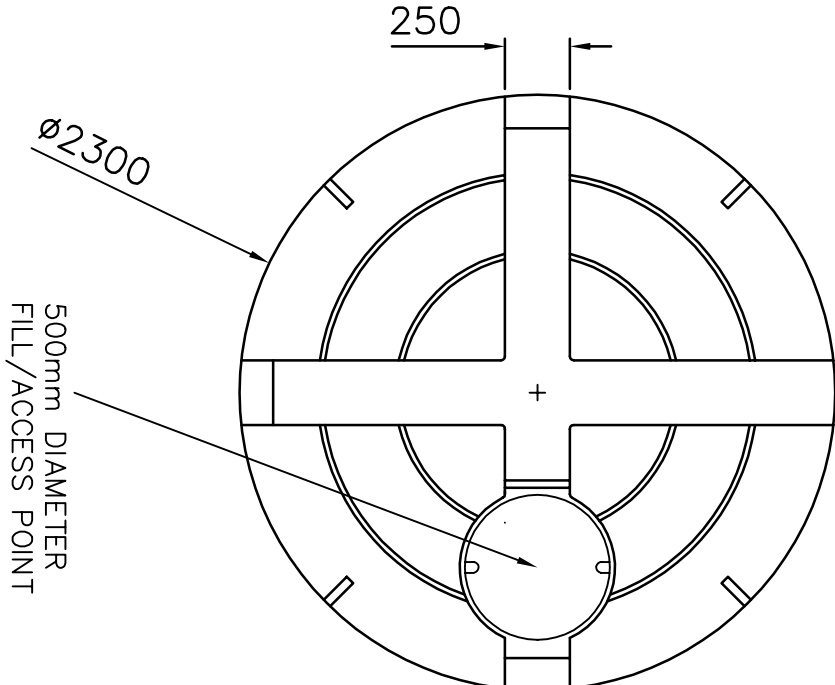
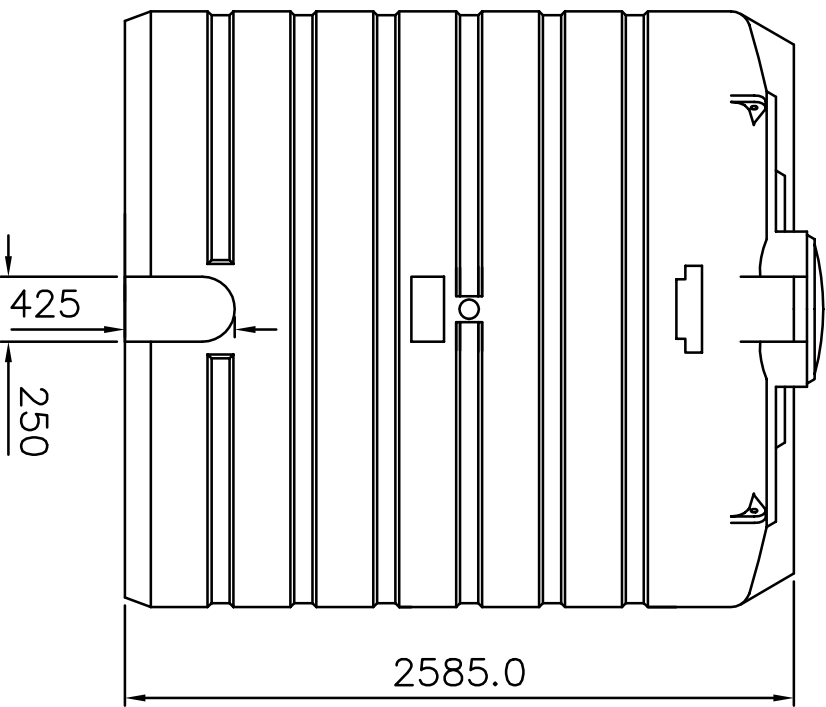
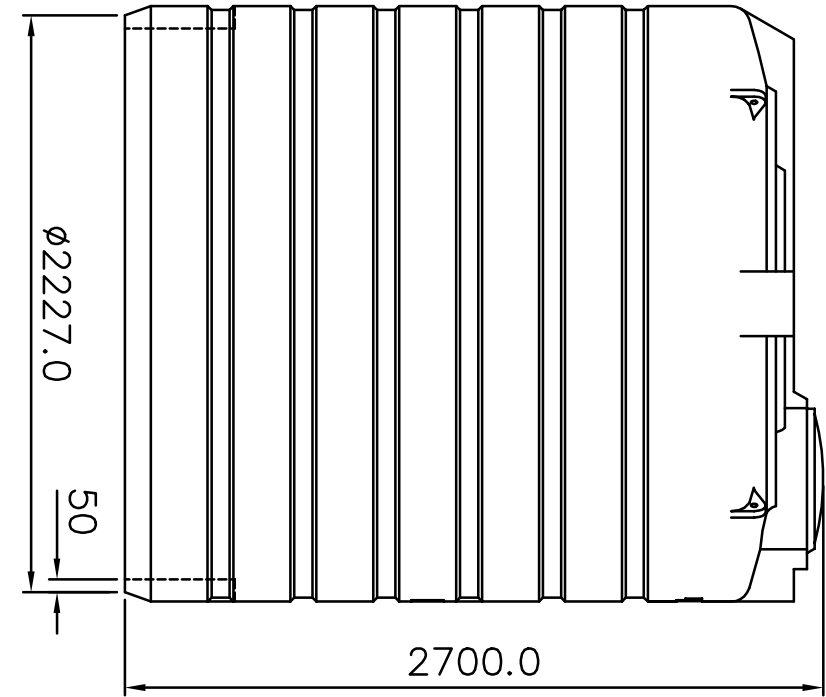




STOCK NUMBERS
STANDARD BLS : 00-049-BLS

PLAN VIEW



FOLLOW INSTALLATION INSTRUCTIONS PROVIDED WITH EACH TANK
ALL DIMENSIONS ARE APPROXIMATE/FOR INFORMATION ONLY
ALLOW FOR TANK EXPANSION WHEN FULL (eg. 150mm AROUND)
ALLOW FOR WEIGHT OF TANK WHEN FULL IN SITE PREPARATION

THIS DRAWING IS COPYRIGHT AND ISSUED
ON CONDITION THAT IT IS NOT COPIED, REPRODUCED
OR DISCUSSED TO A THIRD PARTY WITHOUT THE
CONSENT IN WRITING OF BALMORAL GROUP LTD. ABERDEEN

 THIRD ANGLE PROJECTION		 BALMORAL ROTATIONAL MOULDING BALMORAL PARK, LOIRSTON, ABERDEEN, AB9 2BY TEL: 01224 859100 FAX: 01224 859123	
BASED ON ISS B		DRAWING No. BM 008 INFO 13	
DRAWN BY PRN		TITLE BRM V 10000 BLS TANK	
DATE 28/3/96		PRODUCT STOCK NO. SEE ABOVE	