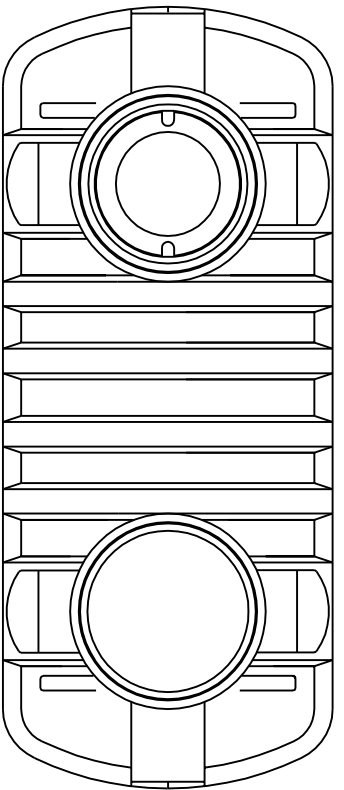
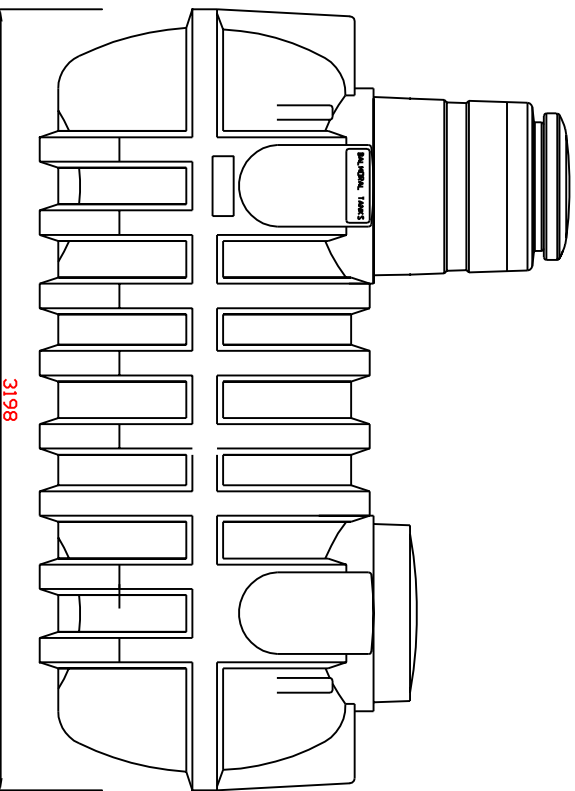


THIS DRAWING IS COPYRIGHT AND IS ISSUED ON CONDITION THAT IT IS NOT COPIED, REPRODUCED OR DISCLOSED TO A THIRD PARTY WITHOUT THE CONSENT IN WRITING OF BALMORAL GROUP LTD, ABERDEEN

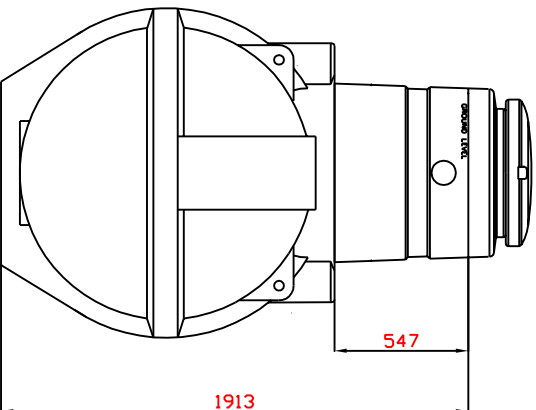
- FOLLOW INSTALLATION INSTRUCTIONS PROVIDED WITH EACH TANK
- ALL DIMENSIONS ARE APPROXIMATE / FOR INFORMATION ONLY
- ALLOW FOR TANK EXPANSION WHEN FULL (EG. 150mm )
- ALLOW FOR WEIGHT OF TANK WHEN FULL IN SITE PREPARATION.



PLAN



ELEVATION



D

D

C

C

B

B

A

A

1

2

3

4

5

6



**BALMORAL GROUP LTD.**

Balmoral Park, Lorrston, Aberdeen, AB12 3GY Scotland  
Telephone (01224) 859000 Fax (01224) 859059

ISSUE		BY		DATE		JOB No. : BM027 00-172-BLS	
01	FIRST ISSUE	EG	RF	15/09/00	CLIENT : BALMORAL TANKS		DRAWN : EG
	MODIFICATION	CHK			DESCRIPTION : 3090 UNDERGROUND BLS		CHECK : RF
				DATE		DRAWING No. : 3090BLS	

1

2

3

4

5

6